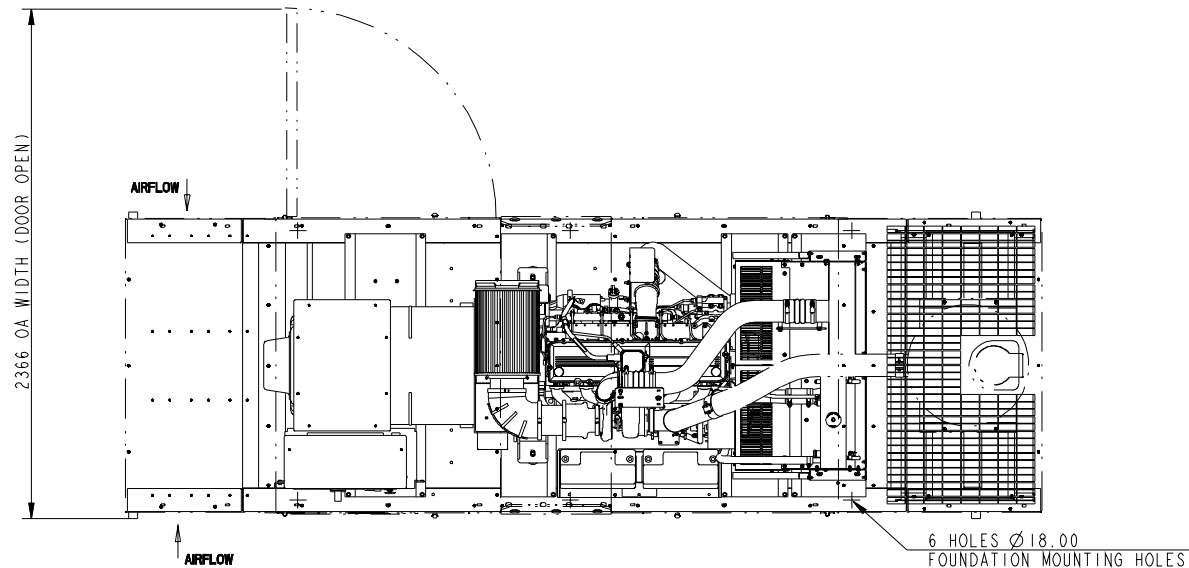


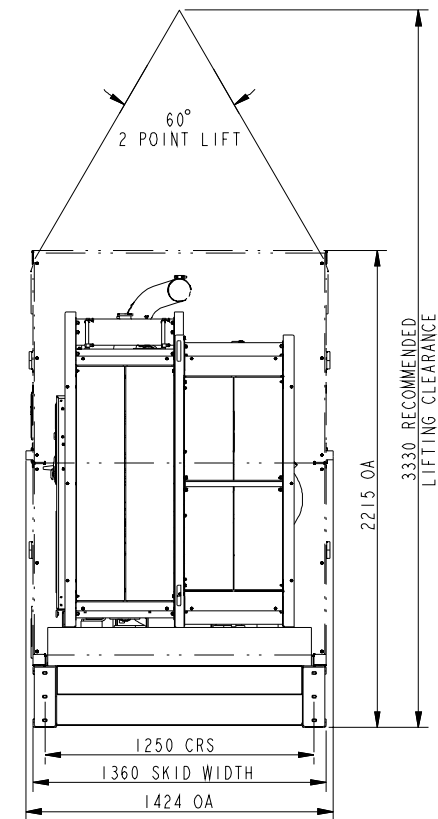
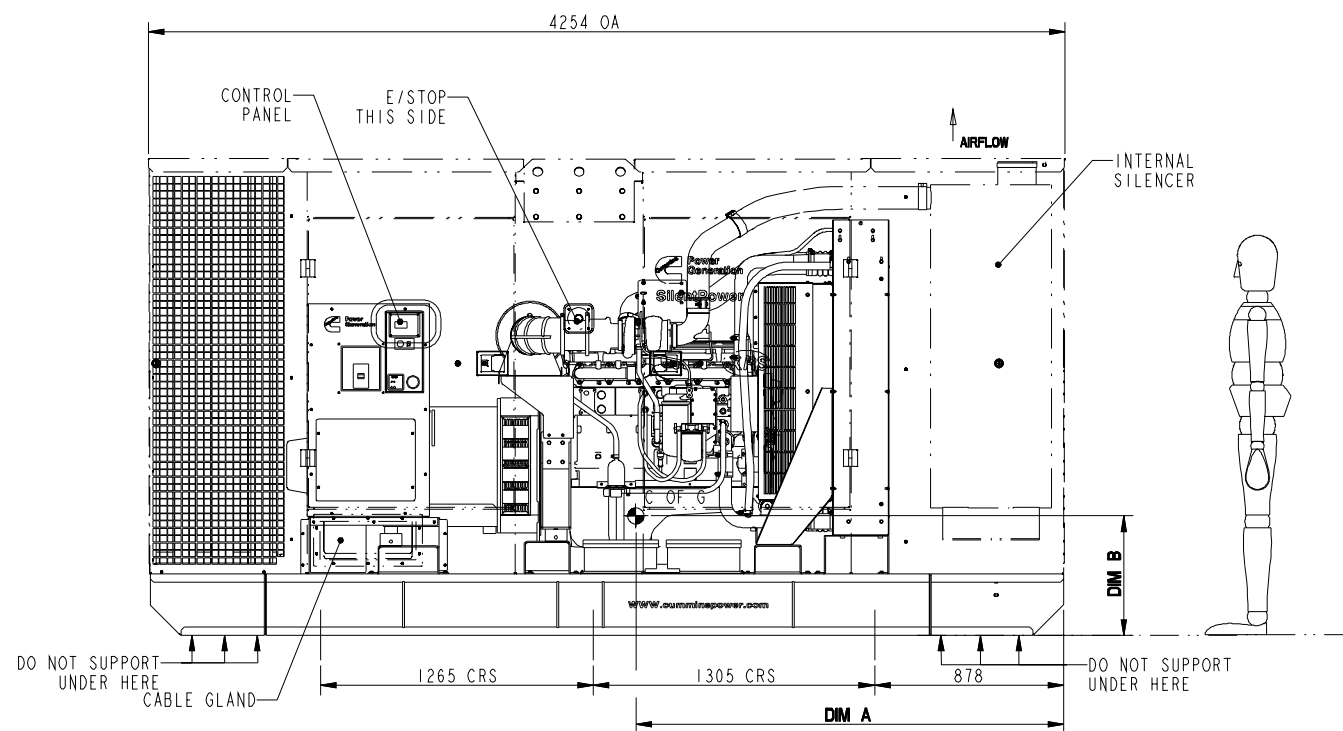
0500-4478 A1 PRO/ENGINEER

REL NO	LTR NO	REVISION	ZONE	DR	CHKR	APPROVED	DATE
ERK12403	A	PRODUCTION RELEASE	-	NU	JM	M BARGENT	02-02-06
ERK13053	B	GUSSETS ADDED TO CROSSMEMBERS	-	NU	JM	M BARGENT	26/05/06



INSTALLATION NOTES :-

- PLEASE ALLOW THE FOLLOWING PARAMETER CLEARANCES AROUND THE ENCLOSURE SIDE (INC OPEN DOORS) 500mm ABOVE THE CANOPY 1000mm
- PLEASE REFER TO MANUAL FOR 2 POINT LIFTING INSTRUCTIONS
- TERMS AND CONDITIONS CAN BE FOUND AT THE FOLLOWING :- WWW.CUMMINSPOWER.COM/TERMS



MODEL	ENGINE	ALTERNATOR	DRY WEIGHT	WET WEIGHT	WET WEIGHT WITH FUEL	C OF G DIM A	C OF G DIM B
C275D5/C250D6	QSL9G5	UCD274K	3872	3924	4511	1792	664
C275D5/C250D6	QSL9G5	HC4D	4095	4147	4734	1823	666
C300D5/C275D6	QSL9G5	HC4D	4095	4147	4734	1823	666
C330D5/C300D6	QSL9G5	HC4D	4095	4147	4734	1823	666
C330D5/C300D6	QSL9G5	HC4E	4175	4227	4814	1835	668

FUEL TANK VOLUME - 904 LTRS

DO NOT SCALE PRINT	TOLERANCE UNLESS STATED ALL DIMENSIONS IN MM	SW TO	NAME	DATE		CUMMINS POWER GENERATION COLUMBUS AVENUE, MANSTON, RANSGATE KENT, CT12 5BF, ENGLAND, UK
	± .3	COPY/ED	N. ULLAH	01-02-06		
± .5	LEAD	J. MATTHEWS	02-02-06		TITLE	ENCLOSURE OUTLINE
± 0.5	THIRD ANGLE PROJECTION	APPR	M. BARGENT	02-02-06	SITE CODE	PGK
ANG TOL ± 1.0°	THIS DRAWING IS THE PROPERTY OF CUMMINS POWER GENERATION. IT CONTAINS PROPRIETARY AND CONFIDENTIAL INFORMATION WHICH MUST BE KEPT STRICTLY CONFIDENTIAL AND NOT REPRODUCED OR TRANSMITTED IN ANY FORM OR BY ANY MEANS, ELECTRONIC OR MECHANICAL, INCLUDING PHOTOCOPYING, RECORDING, OR BY ANY INFORMATION STORAGE AND RETRIEVAL SYSTEM.	FOR INTERPRETATION TOLERANCES USE AND FIRST USED ON	OSL9		PGK	0500-4478
DRAWN TO SCALE OF: 1:15						SHEET 1 OF 1 A1