

X0792039

A3 IF IN DOUBT - ASK

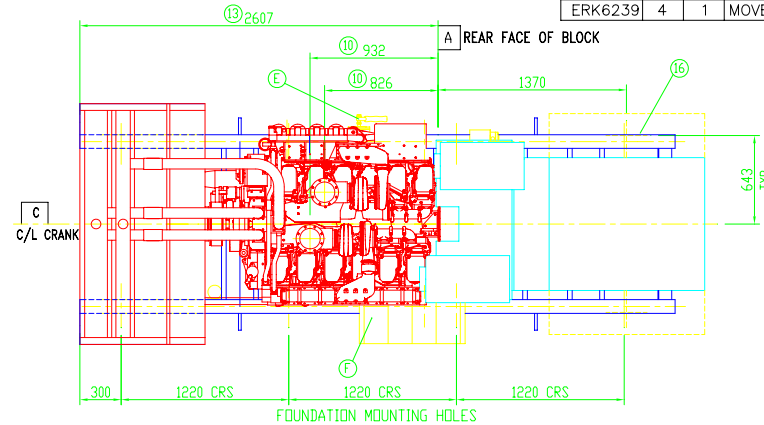
DIMENSIONS IN MM

REL. No.	LTR	No.	REVISION	ZONE	DRN	CHKR	APPROVED	DATE
DM3393	1	1	PRODUCTION RELEASE	-				18/06/99
ERK5743	3	1	MOVE FUEL CONNECTIONS AND FILTERS	A2	ALA	KTW	FLYNN	26/09/02
		2	ADD C OF G DATA & AMEND WEIGHTS	A3				
ERK6239	4	1	MOVE BALLOON 11	C2	ALA	RV	FLYNN	26/09/02

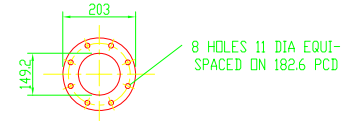
ITEM	QTY	DESCRIPTION
1	1	ENGINE-CUMMINS GST30 G4
2	1	ALTERNATOR-NEWAGE HC6K
3	1	CONTRD. PANEL
4	1	BEDFRAME
5	2	AIR CLEANERS
6	1	CONTRD. HOUSING
7	1	STARTER MOTOR
8	1	LUB. OIL FILLER
9	1	OIL LEVEL DIPSTICK
10	2	EXHAUST OUTLETS
11	1	FUEL FEED FLEX TERM-3/4" BSP
12	1	SPILL RETURN FLEX TERM-3/4" BSP
13	1	RADIATOR 40°C SHOWN
14	8	FOUNDATION FIXING HOLES 22 DIA
15	8	RESILIENT MOUNTINGS
16	1	LOAD CONNECTION GLAND PLATE
17	1	FUEL FILTER
18	4	OIL FILTERS
19	1	SUMP DRAIN - FAR SIDE
20	8	FOUNDATION FIXING HOLES 22 DIA
21	12	RADIATOR DUCT FIXING HOLES

AVAILABLE OPTIONS	
ITEM	DESCRIPTION
A	CIRCUIT BREAKER / ENTRANCE BDX
B	FUEL TRANSFER HAND PUMP
C	ENGINE COOLANT HEATER
D	FUEL/WATER SEPARATOR
E	SUMP DRAIN PUMP
F	LEAD ACID BATTERIES
G	BASE FUEL TANK-1700 LITRES (DIMS IN BRKTS)
H	FLOAT SWITCH
I	HEAVY DUTY AIR CLEANER (NOT SHOWN)
J	HEATER CONTROL BOX & SWITCH
K	50°C RADIATOR (NOT SHOWN)

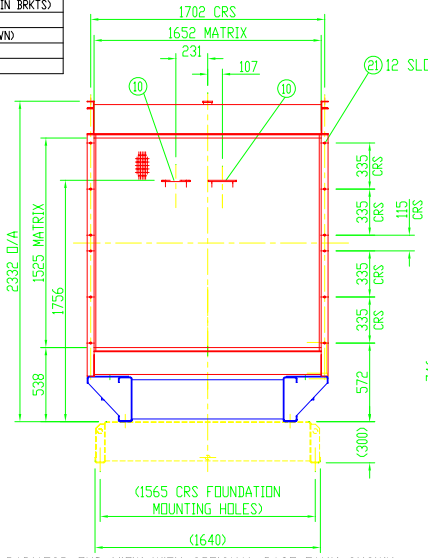
- NOTES:**
- ENTRANCE OR CIRCUIT BREAKER BDX OPTION WILL BE MOUNTED ON THE RIGHT SIDE VIEWED FROM THE CONTROL END UNLESS OTHERWISE STATED.
 - CUSTOMER LOAD CABLES TO BE FLEXIBLE TO ALLOW FOR MOVEMENT OF GENSET ON A.V. MOUNTS.
 - FOR OPTIONS NOT SHOWN SEE ASSOCIATED OPTION DETAILS.
 - ALL WEIGHTS SHOWN ARE THE MAXIMUM WEIGHTS FOR EACH ENGINE/ALTERNATOR COMBINATION + ALL STANDARD OPTIONS.
 - TERMS AND CONDITIONS CAN BE FOUND AT THE FOLLOWING- www.cumminspower.com/terms



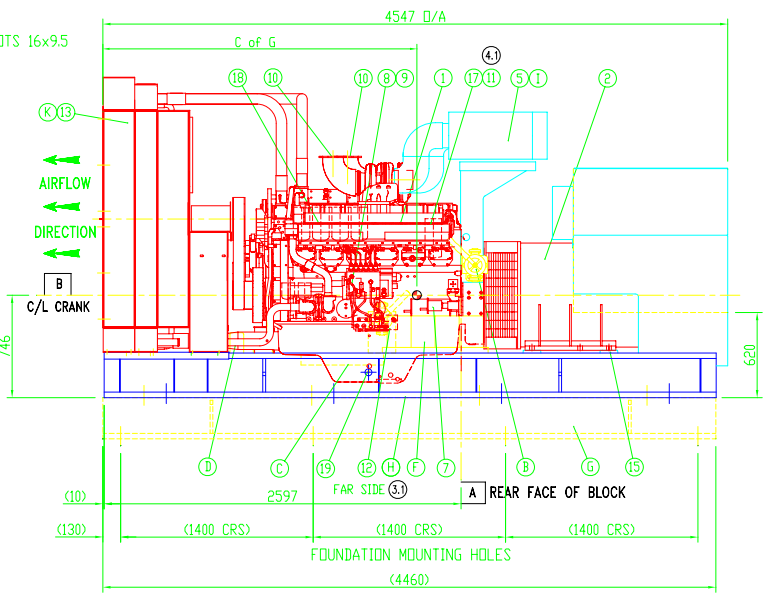
PLAN VIEW WITH OPTIONAL BASE TANK OMITTED.



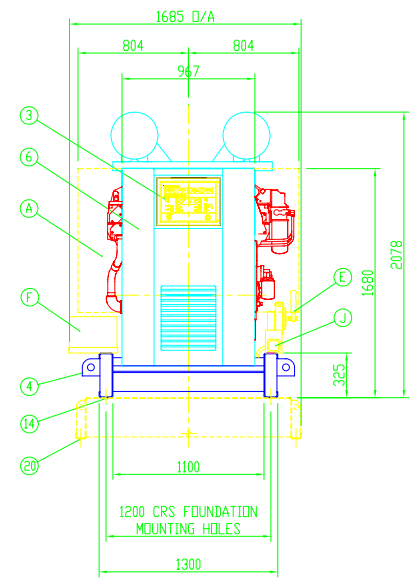
EXHAUST OUTLET CONNECTION (TYPICAL)



RADIATOR END VIEW WITH OPTIONAL BASE TANK SHOWN.



SIDE VIEW WITH OPTIONAL BASE TANK SHOWN.



CONTROL END VIEW WITH OPTIONAL BASE TANK SHOWN.

WT WITH DRY ENGINE Kg		WT WITH WET ENGINE Kg		C of G
ENGINE	ALTERNATOR	OPEN BED	DRY BASE TANK	
GST30G4	HC6K	6775	7625	2282

TOLERANCE UNLESS OTHERWISE SPECIFIED	SIMILAR TO COPIED FROM	NAME	DATE
DIM X = +0.5 X.X = +0.3 X.XX = +0.15		DRAWN Ian Walton	18/06/99
HOLE 0.09-4.99 = +0.15/-0.08 5.00-9.99 = +0.20/-0.10 10.00-17.49 = +0.25/-0.13 17.50-24.99 = +0.30/-0.13	THIRD ANGLE PROJECTION	CHECKED R VAGNARELLI	29/11/02
		APPROVED Richard Flynn	29/11/02

FOR INTERPRETATION OF DIMENSIONING AND TOLERANCING, SEE BS 308 Part 2	FIRST USED ON
	DFH

Cummins Power Generation
Columbus Avenue, Manston, Ramsgate Kent, CT12 5BF, England, UK

TITLE: GA OF GENERATING SET

SITE CODE: PGK

DWG No. X0792039

SHEET 1 of 1

DWG SIZE A3

AutoCAD	DO NOT SCALE PRINT	ANGLE TOL. ±1.0°	SCALE: 1:33
---------	--------------------	------------------	-------------