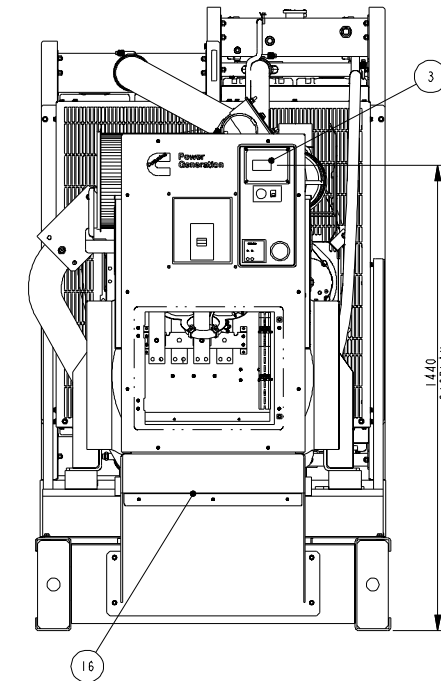
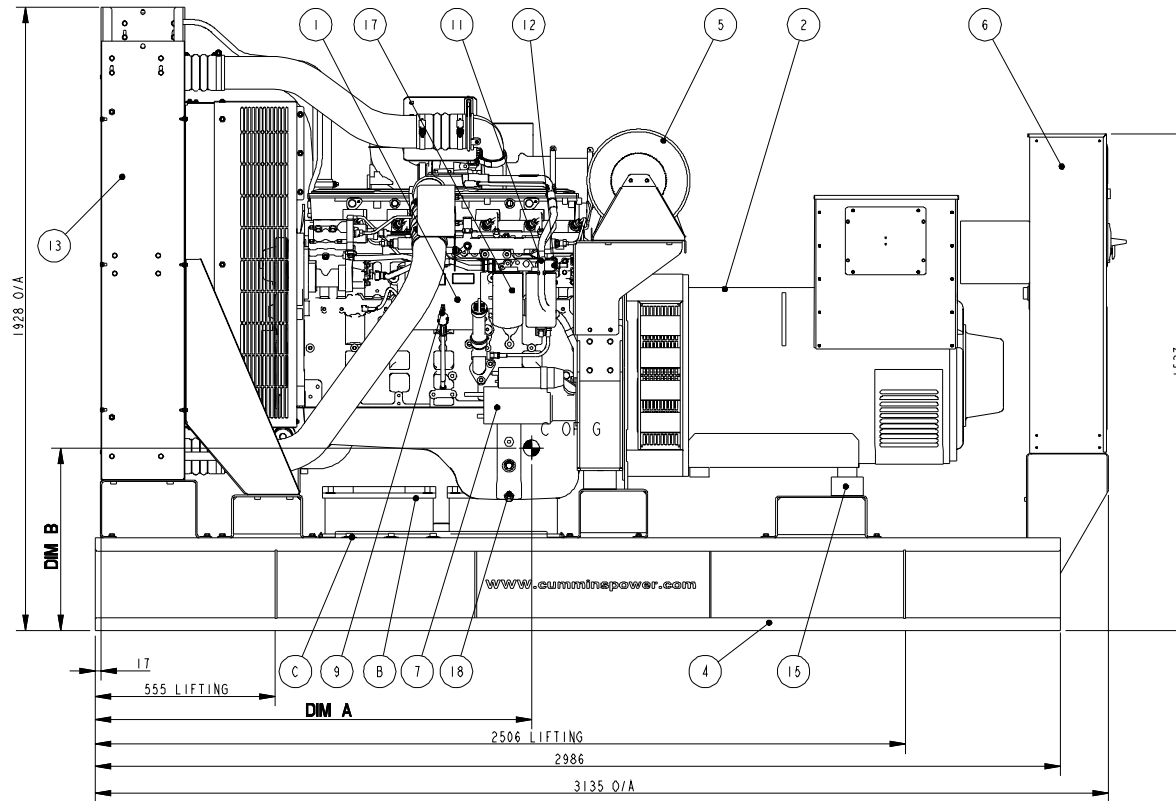
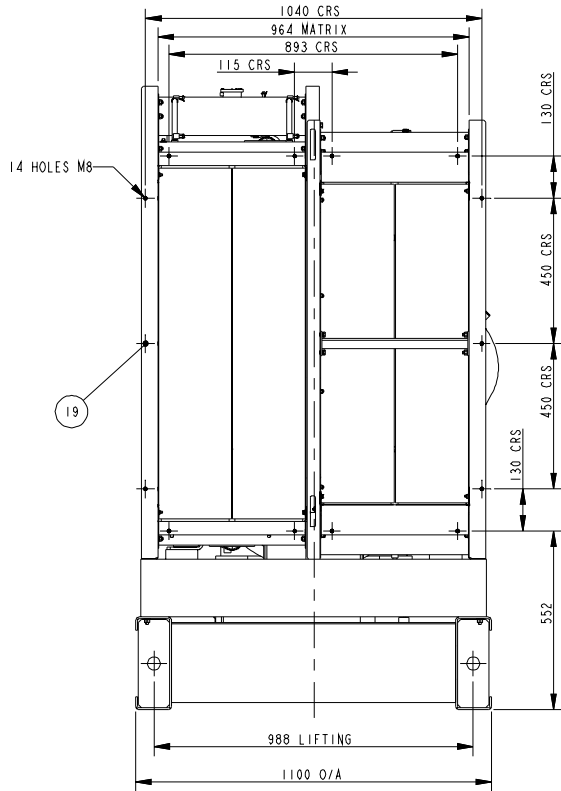
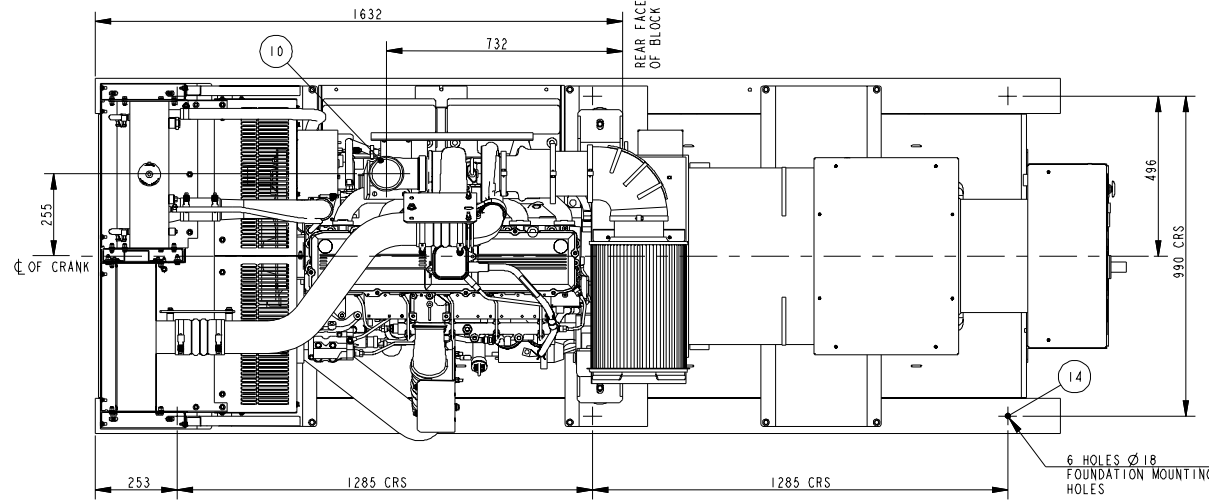
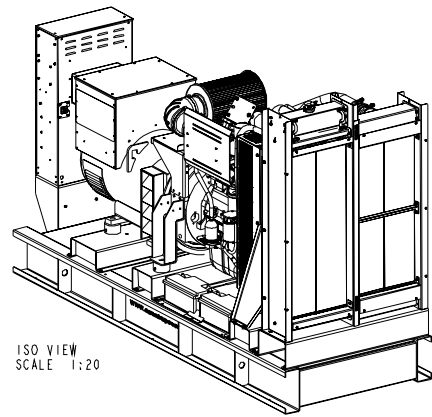


REL NO	LTR NO	REVISION	ZONE	DR	CHK	APPROVED	DATE
ERK12403	A	PRODUCTION RELEASE	-	JM	CK	M BARGENT	02-02-06
ERK13053	B	GUSSETS ADDED TO CROSSMEMBERS	-	NU	JM	M BARGENT	26/05/06



VIEWS SHOWING HC4D/E ALTERNATOR WITH STANDARD AIR CLEANER

14	19	-	--	RADIATOR FIXING HOLES
1	18	-	--	SUMP DRAIN
2	17	-	--	FUEL FILTERS
1	16	-	--	LOAD CONNECTION GLAND PLATE
4	15	-	--	RESILIENT MOUNTINGS
6	14	-	--	FOUNDATION FIXING HOLES 18 DIA
1	13	-	--	RADIATOR 50°C SHOWN
1	12	-	--	SPILL RETURN FLEX
1	11	-	--	FUEL FEED FLEX
1	10	-	--	EXHAUST OUTLET 101 (4") OD
1	9	-	--	OIL LEVEL DIPSTICK
2	8	-	--	LUB OIL FILTER
1	7	-	--	STARTER MOTOR
1	6	-	--	CONTROL HOUSING
1	5	-	--	AIR CLEANERS
1	4	-	--	BEDFRAME
1	3	-	--	CONTROL PANEL 1301
1	2	-	--	ALTERNATOR NEWAGE UCD274K/HC4D/E
1	1	-	--	ENGINE OSL965

ENGINE	ALTERNATOR	WT WITH DRY ENGINE Kg		WT WITH WET ENGINE Kg		DIM A	DIM B
		WET BASE TANK	DRY BASE TANK	WET BASE TANK	DRY BASE TANK		
OSL965	UCD274K	2632	2119	2684	2171	1492	550
OSL965	HC4D	2855	2342	2907	2394	1559	572
OSL965	HC4E	2935	2422	2987	2474	1575	579

AVAILABLE OPTIONS	
ITEM	DESCRIPTION
A	ENGINE COOLANT HEATER
B	LEAD ACID BATTERIES
C	FLOAT SWITCH
D	HEAVY DUTY AIR CLEANER

FUEL TANK VOLUME - 604 LTRS

**DO NOT SCALE PRINT**

ANG TOL ± 1.0°  
DRAWN TO SCALE OF: 1:10

TOLERANCE UNLESS STATED ALL DIMENSIONS IN MM  
1.X ± 0.3  
2.X ± 0.5  
3.X ± 0.5  
4.X ± 0.5  
5.X ± 0.5  
6.X ± 0.5  
7.X ± 0.5  
8.X ± 0.5  
9.X ± 0.5  
10.X ± 0.5  
11.X ± 0.5  
12.X ± 0.5  
13.X ± 0.5  
14.X ± 0.5  
15.X ± 0.5  
16.X ± 0.5  
17.X ± 0.5  
18.X ± 0.5  
19.X ± 0.5

THIS DRAWING IS THE PROPERTY OF CUMMINS POWER GENERATION. IT CONTAINS PROPRIETARY AND CONFIDENTIAL INFORMATION WHICH MUST NOT BE REPRODUCED, COPIED OR DISCLOSED OTHER THAN EXPRESSLY AUTHORIZED BY CUMMINS POWER GENERATION OR ITS REPRESENTATIVE.

FOR INTERPRETATION OF DIMENSIONS AND TOLERANCES SEE ISO 3309 PART 2.

1 FIRST USED ON

NAME: N. ULLAH  
DATE: 24/01/06  
CHECK: J. MATTHEWS  
DATE: 24/01/06  
APPR: M. BARGENT  
DATE: 24/01/06

CUMMINS POWER GENERATION  
COLUMBUS AVENUE, MANSTON, RAINSGATE  
KENT, CT12 5BF, ENGLAND, UK

TITLE: GENSET OUTLINE

PGK: 0500-4476

SHEET: 1 OF 2