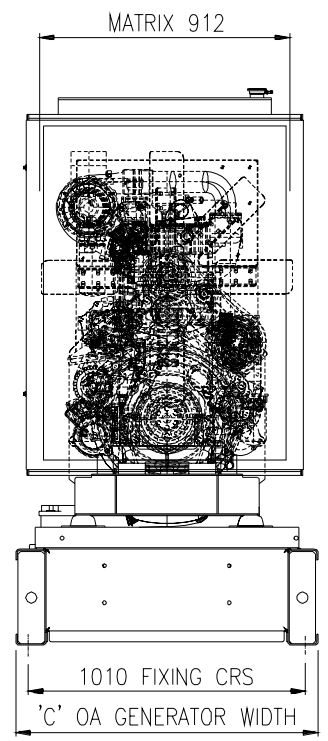
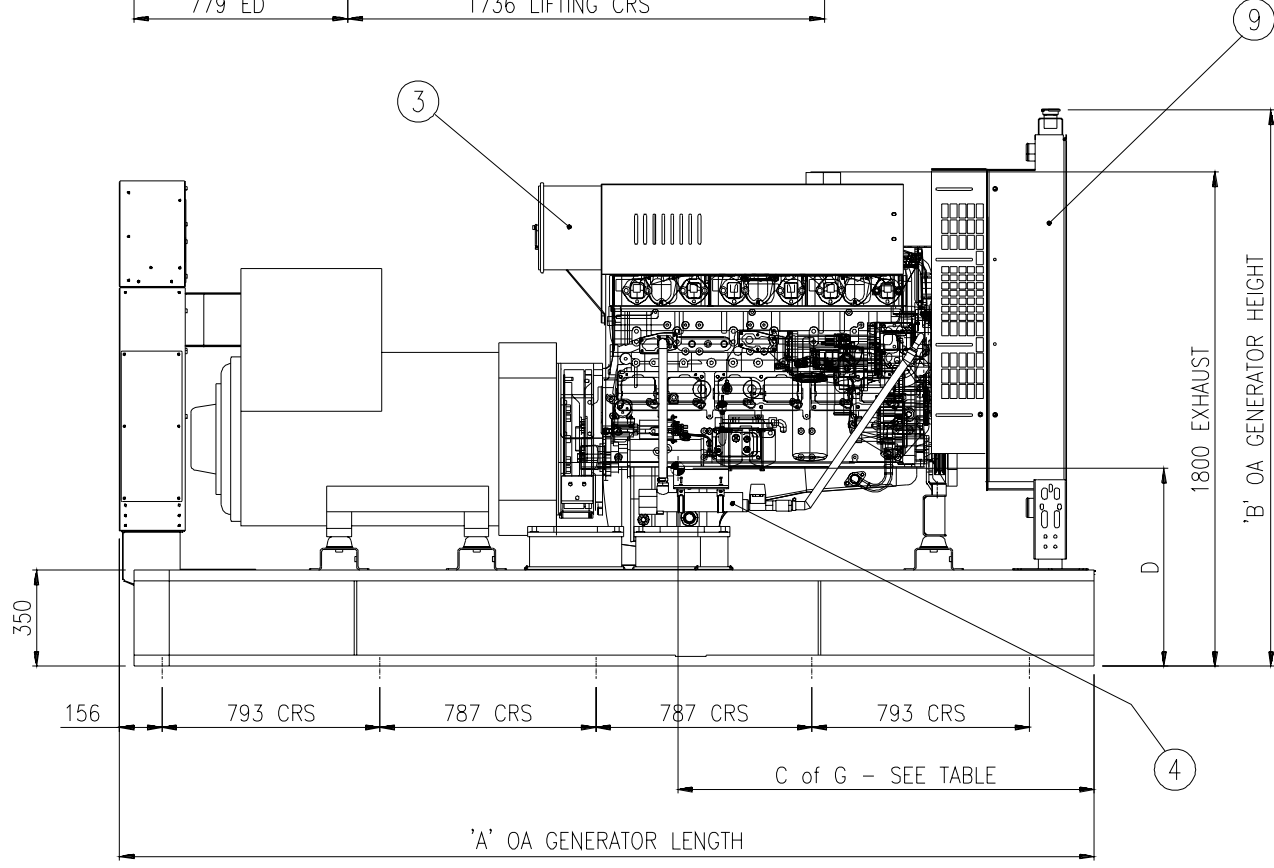
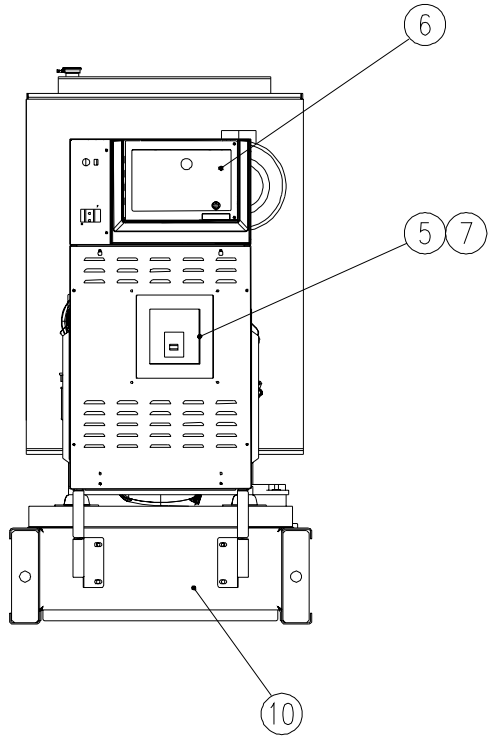
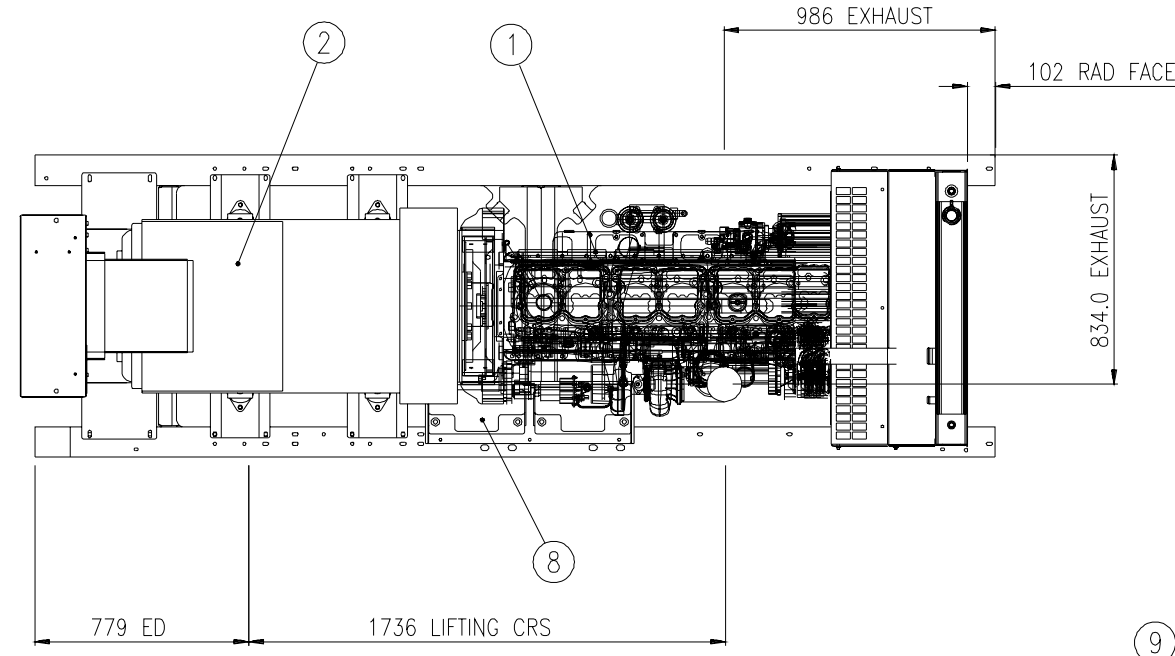


REV. No.	LTR	No.	REVISION	ZONE	DRN	CHKD	APPROVED	DATE
ERK10296	A	1	PRODUCTION RELEASE		JUL	AA	M BARCENT	13/07/2004
ERK10305	B	1	OPEN SET HEIGHTS MODIFIED		A13	AA	M BARCENT	25/11/2004
ERK10810	C	1	EXHAUST AND MATRIX DIMS ADDED		BS	AM	J BENNETT	18/03/2005

INSTALLATION NOTES:

1. BEDFRAME FIXING POINTS REQUIRE AN M20 FASTENING ARRANGEMENT
2. PLEASE REFER TO MANUAL FOR FOUR-POINT LIFTING INSTRUCTIONS
3. TERMS AND CONDITIONS CAN BE FOUND AT THE FOLLOWING:-  
[www.cumminspower.com/terms](http://www.cumminspower.com/terms)



MODEL	ENGINE	DRY WEIGHT (kg)	WET WEIGHT (kg)	WET WEIGHT WITH FUEL(kg)	OIL SUMP CAPACITY (L)	DIMENSIONS (mm)				C of G (mm)
						A	B	C	D	
C300D5 & C275D6	NT855G6	2780	2970	3668	14	3549	2078	1100	683	1569
C350D5 & C300D6	NT855G6	2860	3050	3748	14	3549	2078	1100	685	1590
C400D5 & C350D6	NTA855G4 & NTA855G3	3037	3227	3925	14	3549	2078	1100	690	1600
C440D5 & C400D6	NTA855G7 & NTA855G5	3157	3347	4045	14	3549	2115	1100	729	1602

QTY	ITEM	PART No.	DWG SIZE	DESCRIPTION OR MATERIAL
1	10	REF	-	SKID
1	9	REF	-	RADIATOR - 50 DEG C
2	8	REF	-	BATTERIES
1	7	REF	-	CIRCUIT BREAKER
1	6	REF	-	CONTROLLER PCC2100
1	5	REF	-	CONTROL HOUSING
1	4	REF	-	ENGINE COOLANT HEATER
1	3	REF	-	AIR CLEANER - STANDBY
1	2	REF	-	ALTERNATOR - HC5
1	1	REF	-	ENGINE - CUMMINS

TOLERANCE UNLESS OTHERWISE SPECIFIED	SHALL TO	DATE	<b>Cummins Power Generation</b> Columbus Avenue, Manston, Ramsgate Kent, CT12 5BF, England, UK
X .XX = ±.1 .XX = ±.05 .009-.499 = +0.15/-0.08 5.00-9.99 = +0.20/-0.10 10.00-17.99 = +0.25/-0.13 18.00-24.99 = +0.30/-0.15	DRAWN J JONES 13/07/2004 CHECKED A ANDREWS 12/10/2004 APPROVED M BARCENT 12/10/2004	DATE 13/07/2004 12/10/2004 12/10/2004	
THIRD ANGLE PROJECTION THIS DOCUMENT IS THE PROPERTY OF CUMMINS POWER GEN. LTD. IT IS LOANED TO YOU FOR YOUR CONVEYANCE ONLY. IT IS NOT TO BE REPRODUCED, COPIED, OR TRANSMITTED IN ANY FORM OR BY ANY MEANS, ELECTRONIC OR MECHANICAL, INCLUDING PHOTOCOPYING, RECORDING, OR BY ANY INFORMATION STORAGE AND RETRIEVAL SYSTEM, WITHOUT THE WRITTEN PERMISSION OF CUMMINS POWER GEN. LTD. OR ITS REPRESENTATIVE.	AUTOCAD DO NOT SCALE PRINT ANGLE TOL. ±1.0° SCALE: 1:12	FIRST USED ON C300 PKG	SITE CODE 0500-4092 SHEET 12 OF 21 DWG NO. 0500-4092