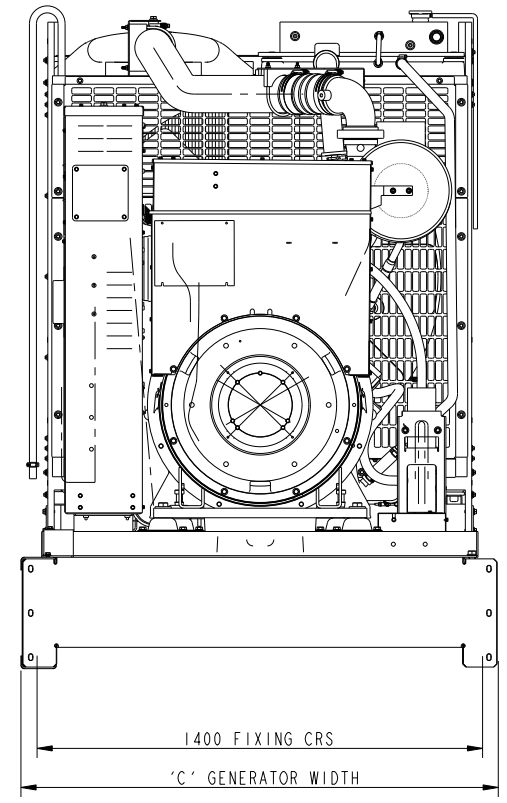
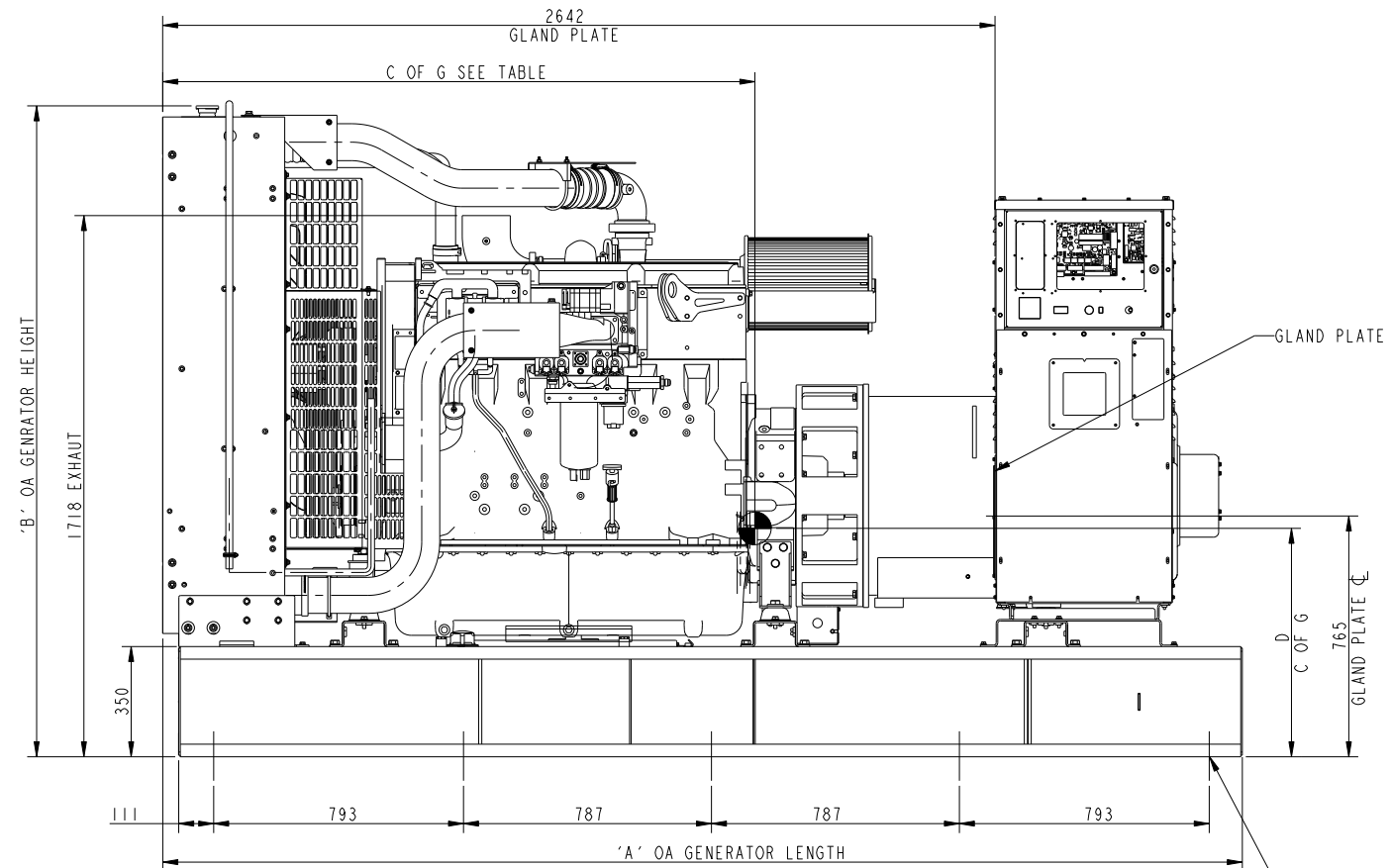
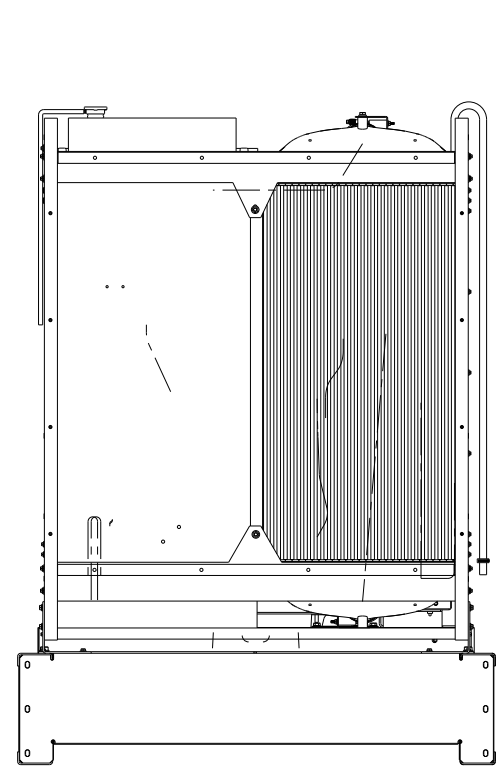
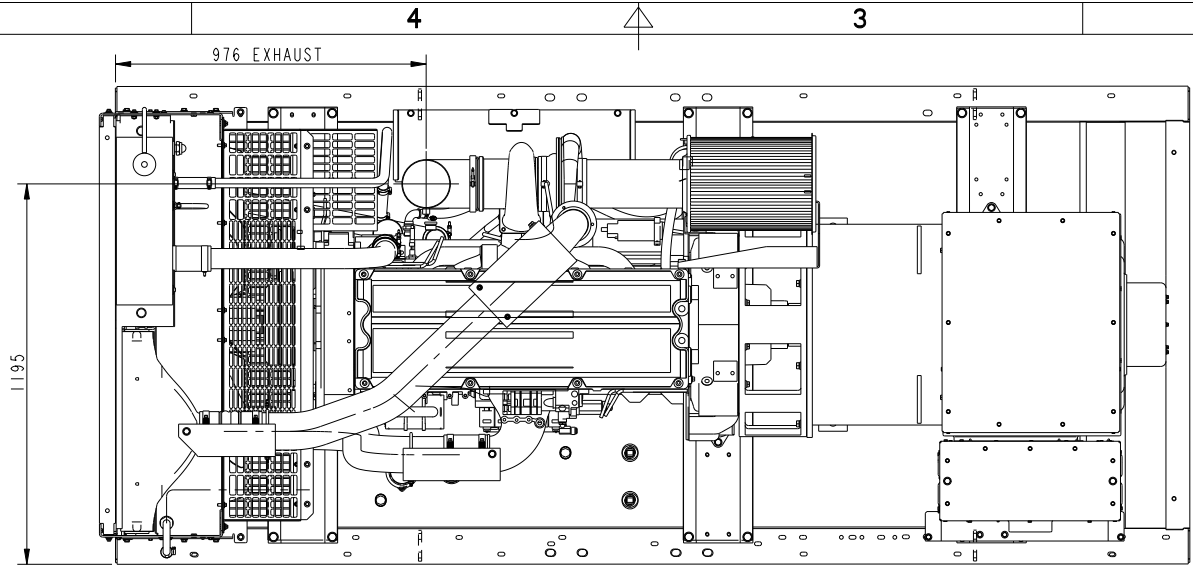


0500-5016 A1 PRO/ENGINEER

REL NO	LTR NO	NO	REVISION	DR	CHKD	APPROVED	DATE
ECO-109235	D	1	DRAWING REVISED, SEE ECO FOR CHANGES	BS	AS	HAWKINS	09MAR10

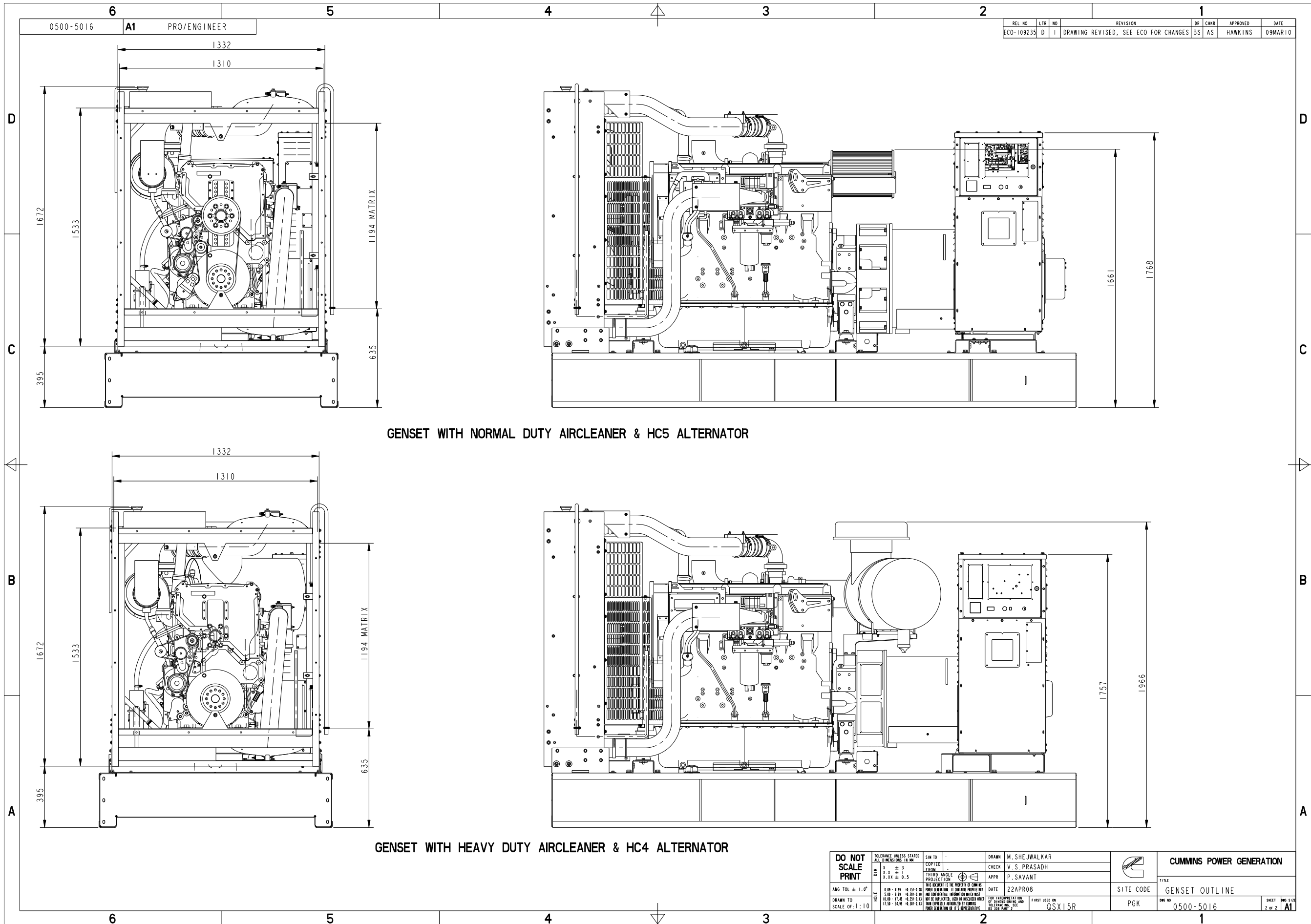
- INSTALLATION NOTES:
- PLEASE REFER TO MANUAL FOR FOUR-POINT LIFTING INSTRUCTIONS
  - TERMS AND CONDITIONS CAN BE FOUND AT THE FOLLOWING:-  
[www.cumminspower.com/terms](http://www.cumminspower.com/terms)



GENSET WITH NORMAL DUTY AIRCLEANER & HC4 ALTERNATOR

MODEL	ENGINE	DRY WEIGHT (Kg)	WET WEIGHT (Kg)	WET WEIGHT WITH FUEL (Kg)	OIL SUMP CAPACITY (L)	DIMENSION (mm)				C OF G (mm)
						A	B	C	D	
C400D5E	QSX15G8	3744	3878	4582	83	3427	2066	1500	691	1548
C450D5E	QSX15G8	3987	4121	4825	83	3427	2066	1500	699	1612
C500D5E	QSX15G8	3987	4121	4825	83	3427	2066	1500	699	1612
C550D5E	QSX15G8	4137	4271	4975	83	3427	2066	1500	703	1647
C450D6E	QSX15G9	3987	4121	4825	83	3427	2066	1500	699	1612
C500D6E	QSX15G9	4137	4271	4975	83	3427	2066	1500	703	1647

<b>DO NOT SCALE PRINT</b>	TOLERANCE UNLESS STATED ALL DIMENSIONS IN MM	SW TO	DATE	M. SHE JWALKAR	CUMMINS POWER GENERATION
	ANG TOL ± 1.0°	COPIED FROM	DATE		
DRAWN TO SCALE OF: 1:10	ANGLE PROJECTION	DATE	22APR08	V. S. PRASADH	SITE CODE
		DATE	22APR08	P. SAVANT	
		DATE	22APR08		PGK
		DATE	22APR08		0500-5016
		DATE	22APR08		1 of 2
		DATE	22APR08		A1



REL NO	LTR NO	REVISION	DR	CHKR	APPROVED	DATE
ECO-109235	D 1	DRAWING REVISED, SEE ECO FOR CHANGES	BS	AS	HAWKINS	09MAR10

GENSET WITH NORMAL DUTY AIRCLEANER & HC5 ALTERNATOR

GENSET WITH HEAVY DUTY AIRCLEANER & HC4 ALTERNATOR

<b>DO NOT SCALE PRINT</b>	TOLERANCE UNLESS STATED ALL DIMENSIONS IN MM	SW TO	DATE	<b>CUMMINS POWER GENERATION</b> TITLE <b>GENSET OUTLINE</b> SITE CODE PGK 0500-5016 SHEET NO. 2 of 2 A1
	X ± 3 Y, XX ± 1 X, XX ± 0.5	COPIED FROM THIRD ANGLE PROJECTION	DRAWN M. SHE JWALKAR CHECK V. S. PRASADH APPR P. SAVANT	
ANG TOL ± 1.0° DRAWN TO SCALE OF: 1:10	THIS DOCUMENT IS THE PROPERTY OF CUMMINS POWER GENERATION. IT CONTAINS PROPRIETARY AND CONFIDENTIAL INFORMATION WHICH MUST NOT BE REPRODUCED, COPIED, OR DISCLOSED TO ANY OTHER PARTY WITHOUT THE WRITTEN PERMISSION OF CUMMINS POWER GENERATION OR ITS REPRESENTATIVE.	FOR INTERPRETATION OF DIMENSIONS AND TOLERANCES, SEE JOB PART 2	FIRST USED ON QSX15R	

**Part A024H088 D**

Description	Legacy Name	External Regulations	Application Status	Release Phase Code	Security Classification	Alternates
OUTLINE,GENSET	0500-5016	None	Production Only	Production	Proprietary	

---

**Part Specifications :A024H088 D**

Name	Description	Legacy Name
A030B356	SPECIFICATION,MATERIAL	CES10903
A024B664	DRAWING,ENGINEERING	0500-5016