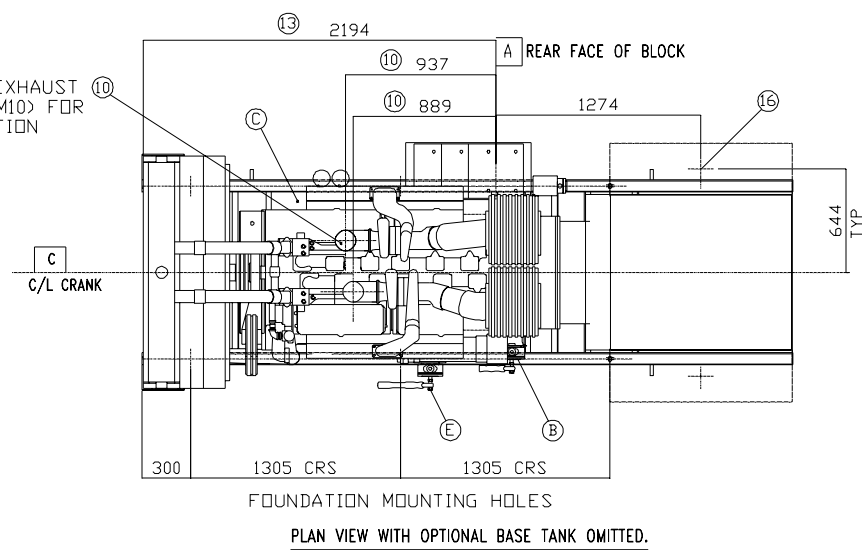
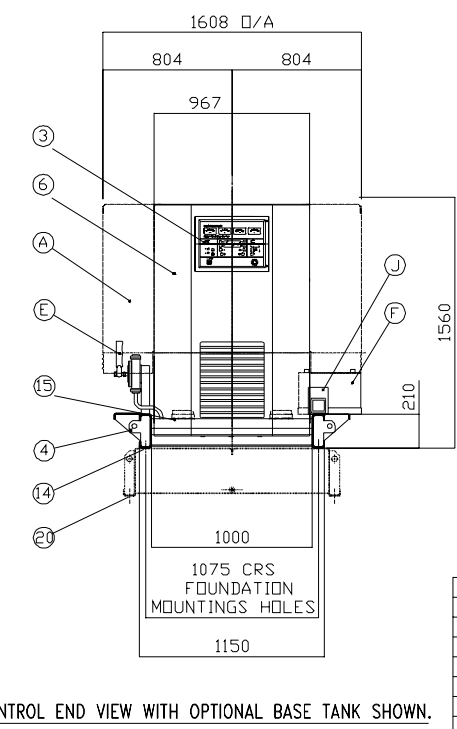
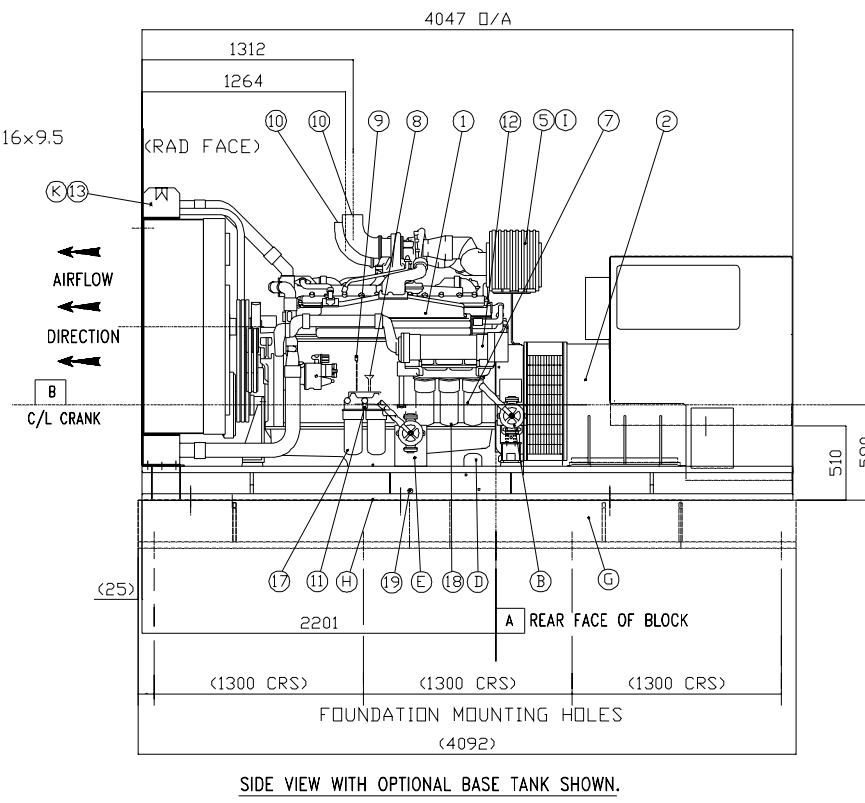
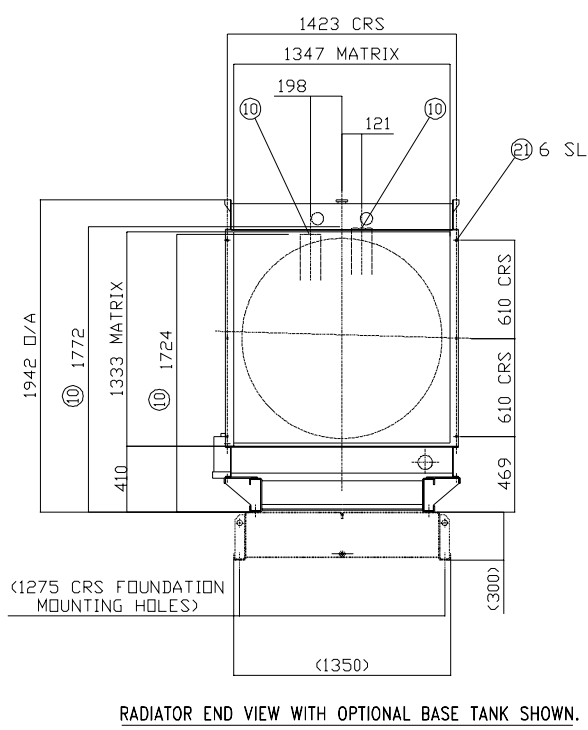


NOTE: 127 Ø/D. (5") EXHAUST
OUTLET ELBOWS (ITEM10) FOR
CLAMP TYPE CONNECTION



- NOTES:**
- ENTRANCE OR CIRCUIT BREAKER BOX OPTION WILL BE MOUNTED ON THE RIGHT SIDE VIEWED FROM THE CONTROL END UNLESS OTHERWISE STATED.
 - CUSTOMER LOAD CABLES TO BE FLEXIBLE TO ALLOW FOR MOVEMENT OF GENSET ON A.V. MOUNTS.
 - FOR OPTIONS NOT SHOWN SEE ASSOCIATED OPTION DETAILS.
 - ALL WEIGHTS SHOWN ARE THE MAXIMUM WEIGHTS FOR EACH ENGINE/ALTERNATOR COMBINATION + ALL STANDARD OPTIONS.



| AVAILABLE OPTIONS | |
|-------------------|--|
| ITEM | DESCRIPTION BOX |
| A | CIRCUIT BREAKER / ENTRANCE |
| B | FUEL TRANSFER HAND PUMP |
| C | ENGINE COOLANT HEATER |
| D | FUEL/WATER SEPARATOR |
| E | SUMP DRAIN PUMP |
| F | LEAD ACID BATTERIES |
| G | BASE FUEL TANK-1150 LITRES (DIMS IN BRKTS) |
| H | FLOAT SWITCH |
| I | HEAVY DUTY AIR CLEANER (NOT SHOWN) |
| J | HEATER CONTROL BOX & SWITCH |
| K | 50°C RADIATOR (NOT SHOWN) |

| QTY | ITEM | PART No. | ØWS SIZE | DESCRIPTION OR MATERIAL |
|-----|------|----------|----------|---------------------------------|
| 6 | 21 | - | - | RADIATOR DUCT FIXING HOLES |
| 10 | 20 | - | - | FOUNDATION FIXING HOLES 22 DIA |
| 1 | 19 | - | - | SUMP DRAIN |
| 3 | 18 | - | - | OIL FILTERS |
| 2 | 17 | - | - | FUEL FILTERS |
| 1 | 16 | - | - | LOAD CONNECTION GLAND PLATE |
| 8 | 15 | - | - | RESILIENT MOUNTINGS |
| 6 | 14 | - | - | FOUNDATION FIXING HOLES 22 DIA |
| 1 | 13 | - | - | RADIATOR 40°C SHOWN |
| 1 | 12 | - | - | SPILL RETURN FLEX TERM-3/4" BSP |
| 1 | 11 | - | - | FUEL FEED FLEX TERM-3/4" BSP |
| 2 | 10 | - | - | EXHAUST OUTLETS - 127 Ø/D. (5") |
| 1 | 9 | - | - | OIL LEVEL DIPSTICK - FAR SIDE |
| 1 | 8 | - | - | LUB. OIL FILLER - FAR SIDE |
| 1 | 7 | - | - | STARTER MOTOR-FAR SIDE |
| 1 | 6 | - | - | CONTROL HOUSING |
| 2 | 5 | - | - | AIR CLEANERS |
| 1 | 4 | - | - | BEDFRAME |
| 1 | 3 | - | - | CONTROL PANEL |
| 1 | 2 | - | - | ALTERNATOR-NEWAGE HC6G/H |
| 1 | 1 | - | - | ENGINE-CUMMINS VTA28G5 |

| ENGINE | ALTERNATOR | WT WITH DRY ENGINE Kg | | WT WITH WET ENGINE Kg | |
|---------|------------|-----------------------|---------------|-----------------------|---------------|
| | | OPEN BED | DRY BASE TANK | OPEN BED | DRY BASE TANK |
| VTA28G5 | HC6G | 5771 | 6356 | 6040 | 6625 |
| VTA28G5 | HC5E | 5349 | 5934 | 5618 | 6203 |
| VTA28G5 | HC5F | 5491 | 6076 | 5760 | 6345 |

AutoCAD DO NOT SCALE PRINT ANGLE TOL. ±1.0° SCALE: 1:8

TOLERANCE UNLESS OTHERWISE SPECIFIED

SHAFT TO COPIED FROM X0791953

THIRD ANGLE PROJECTION

0.00-4.99 = +0.15/-0.08
5.00-9.99 = +0.20/-0.10
10.00-17.99 = +0.25/-0.13
18.00-24.99 = +0.30/-0.15

THIS DOCUMENT IS THE PROPERTY OF CUMMINS POWER GEN. ITS USE IS LIMITED TO THE ORIGINAL PURCHASE AND IS NOT TO BE REPRODUCED OR TRANSMITTED IN ANY FORM OR BY ANY MEANS, ELECTRONIC OR MECHANICAL, INCLUDING PHOTOCOPYING, RECORDING, OR BY ANY INFORMATION STORAGE AND RETRIEVAL SYSTEM, WITHOUT THE WRITTEN PERMISSION OF CUMMINS POWER GEN. USE OF THIS DOCUMENT IS LIMITED TO THE ORIGINAL PURCHASE AND IS NOT TO BE REPRODUCED OR TRANSMITTED IN ANY FORM OR BY ANY MEANS, ELECTRONIC OR MECHANICAL, INCLUDING PHOTOCOPYING, RECORDING, OR BY ANY INFORMATION STORAGE AND RETRIEVAL SYSTEM, WITHOUT THE WRITTEN PERMISSION OF CUMMINS POWER GEN.

FOR INTERPRETATION FIRST USED ON TEL/FAC/CHGNO. SIZE BS 3000 Part 2

APPROVED S CONNOLLY 26/06/2006

CHECKED C KNIGHT 26/06/2006

DRAWN H LEWIS 26/06/2006

DATE 26/06/2006

NAME

Cummins Power Generation
Columbus Avenue, Manston, Ramsgate
Kent, CT12 5BF, England, UK

TITLE GENSET OUTLINE

PGK

SHEET 1 of 1

0500-4630

VTA28G5-HC6G/H