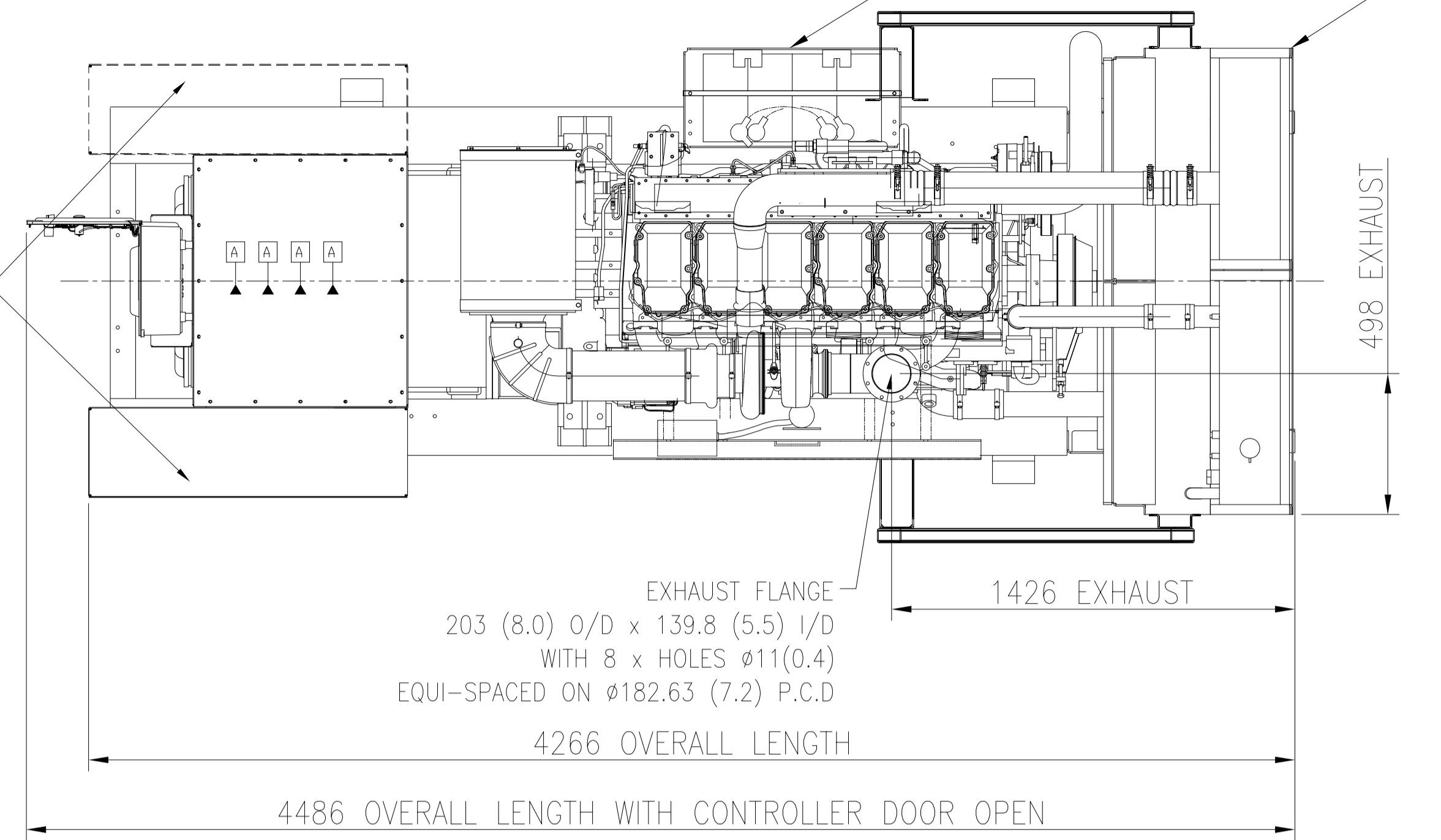


REL No.	LTR No.	REVISION	DRN	CHKD	APPROVED	DATE
ECO-105782	F 1	PLEASE REFER TO ECO FOR CHANGES	MS	YJ	S.HAWKINS	13MAY10

VIEW - PLAN

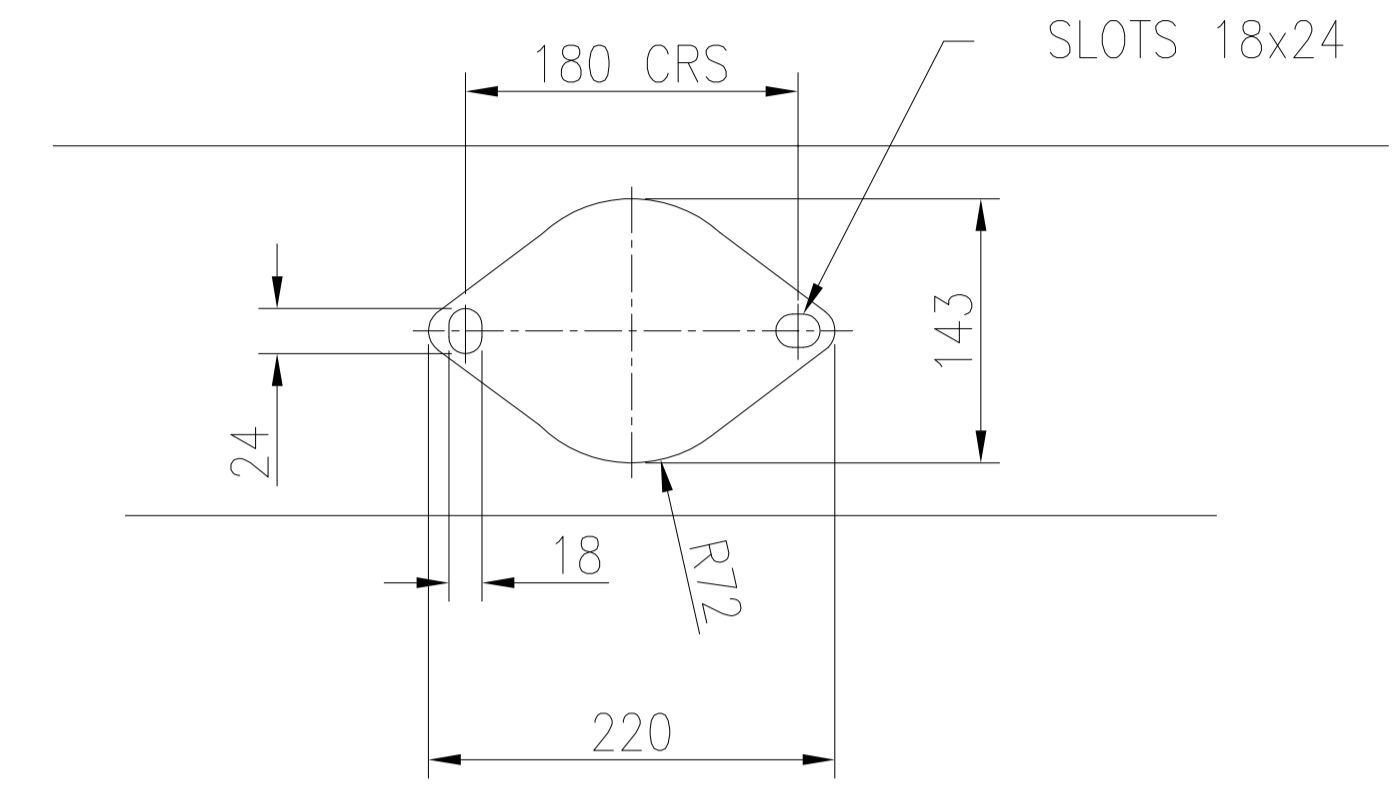
BOTH SIDES FOR OPTIONAL CIRCUIT BREAKER APPLICATIONS

AIRFLOW →

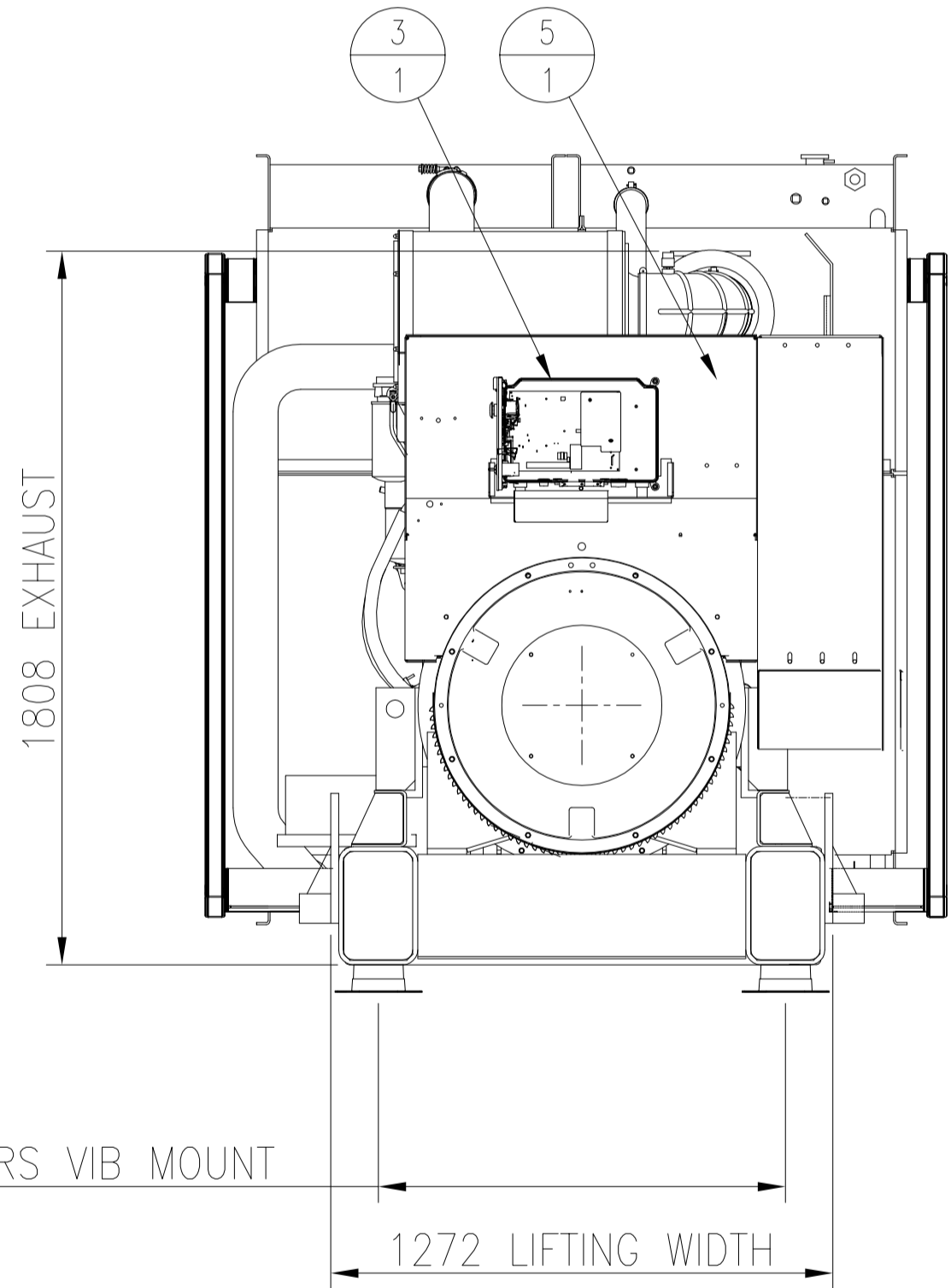


NOTES:

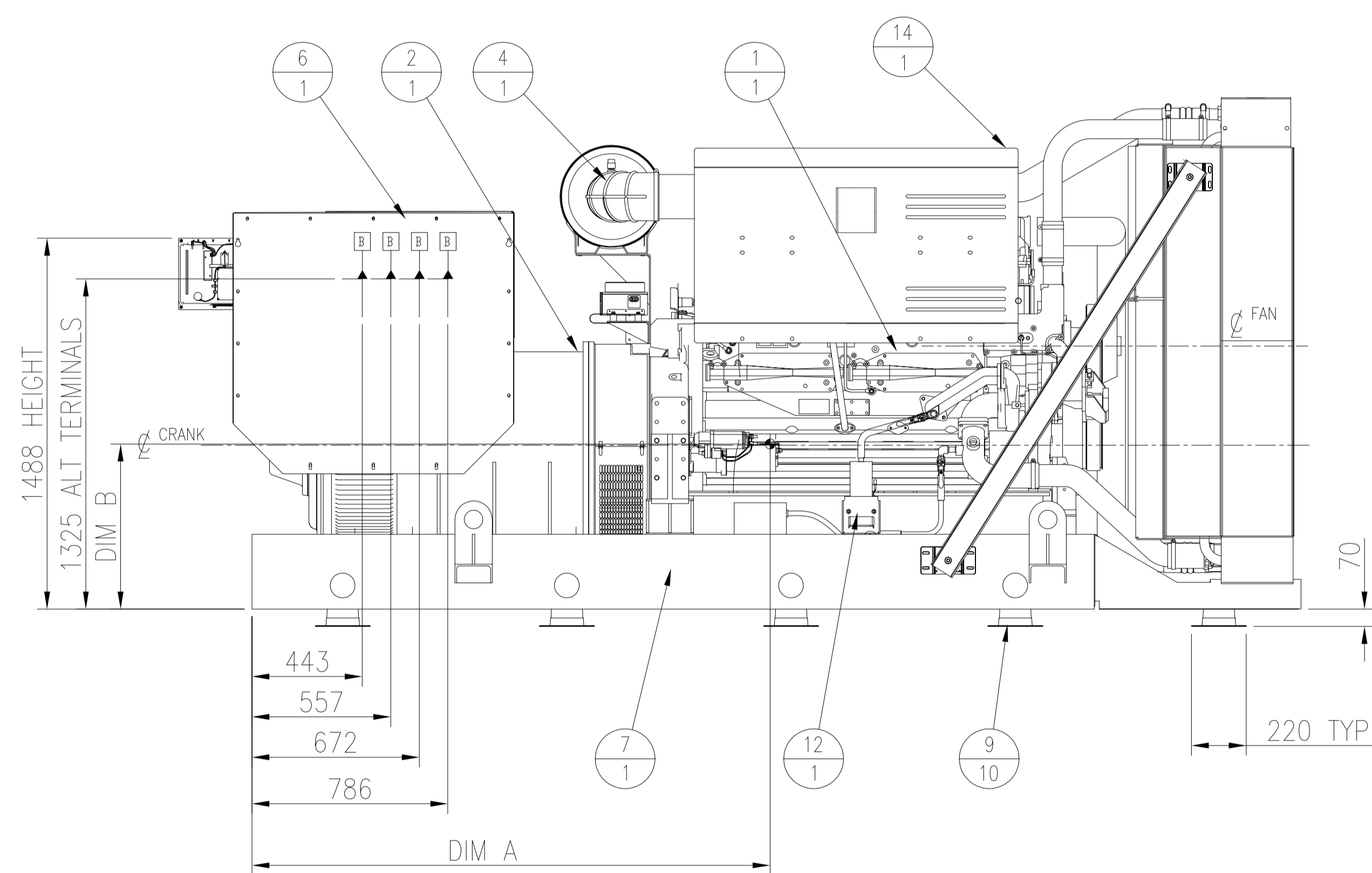
- DO NOT ATTACH SOLID CONDUIT TO ELECTRONICS BOX.
- GENSET SHIPPED FILLED WITH ENGINE OIL & COOLANT.



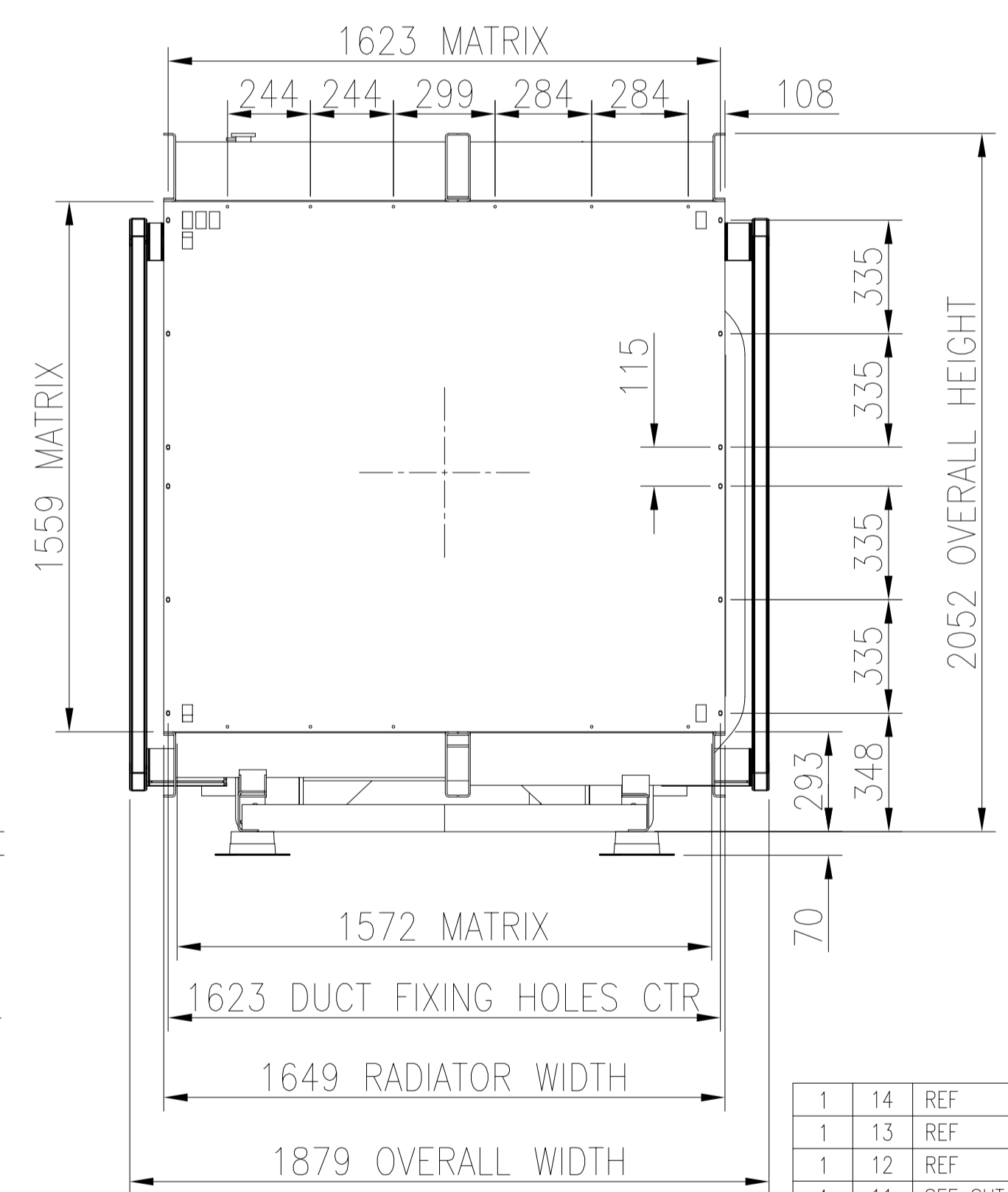
AVM DETAILS
SCALE : 1:8



VIEW - REAR



VIEW - LEFT SIDE



VIEW - FRONT

TABULATION				
GEN' FRAME SIZE	DIM 'A' CofG	DIM 'B' CofG	GENSET DRY WEIGHT (KG)	GENSET WET WEIGHT (KG)
HC6G	2225 (87.5)	732 (28.8)	6387	6528
HC6H	2196 (86.5)	732 (28.8)	6539	6680
HC6J	2165 (85.2)	732 (28.8)	6701	6842
HC6K	2114 (83.2)	732 (28.8)	6963	7104

EXHAUST GAS AIRFLOW DATA:

EXHAUST GAS TEMPERATURE 543°C

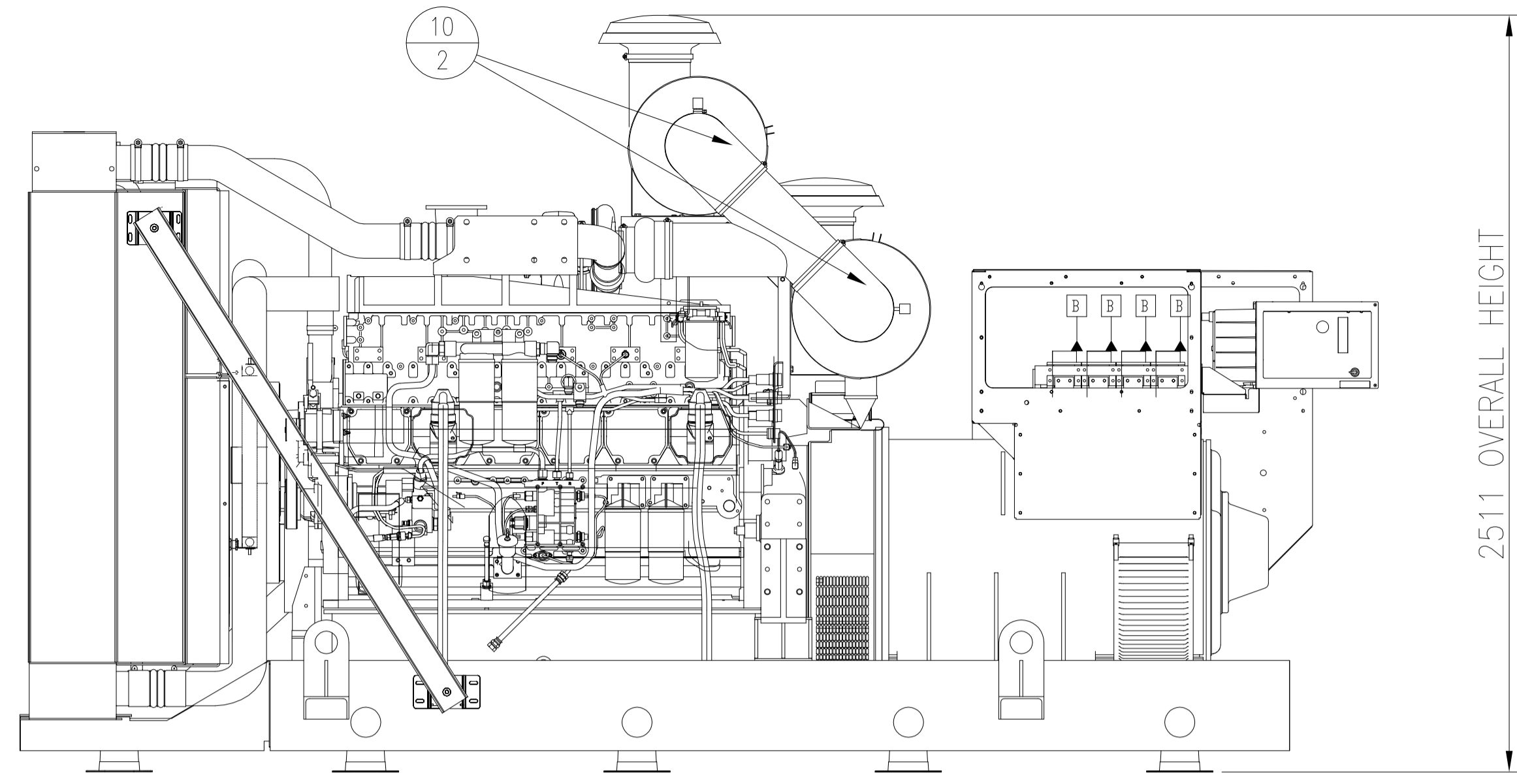
EXHAUST GAS FLOW 3056 liters/s

MAX. BACK PRESSURE 76.2 mmHg

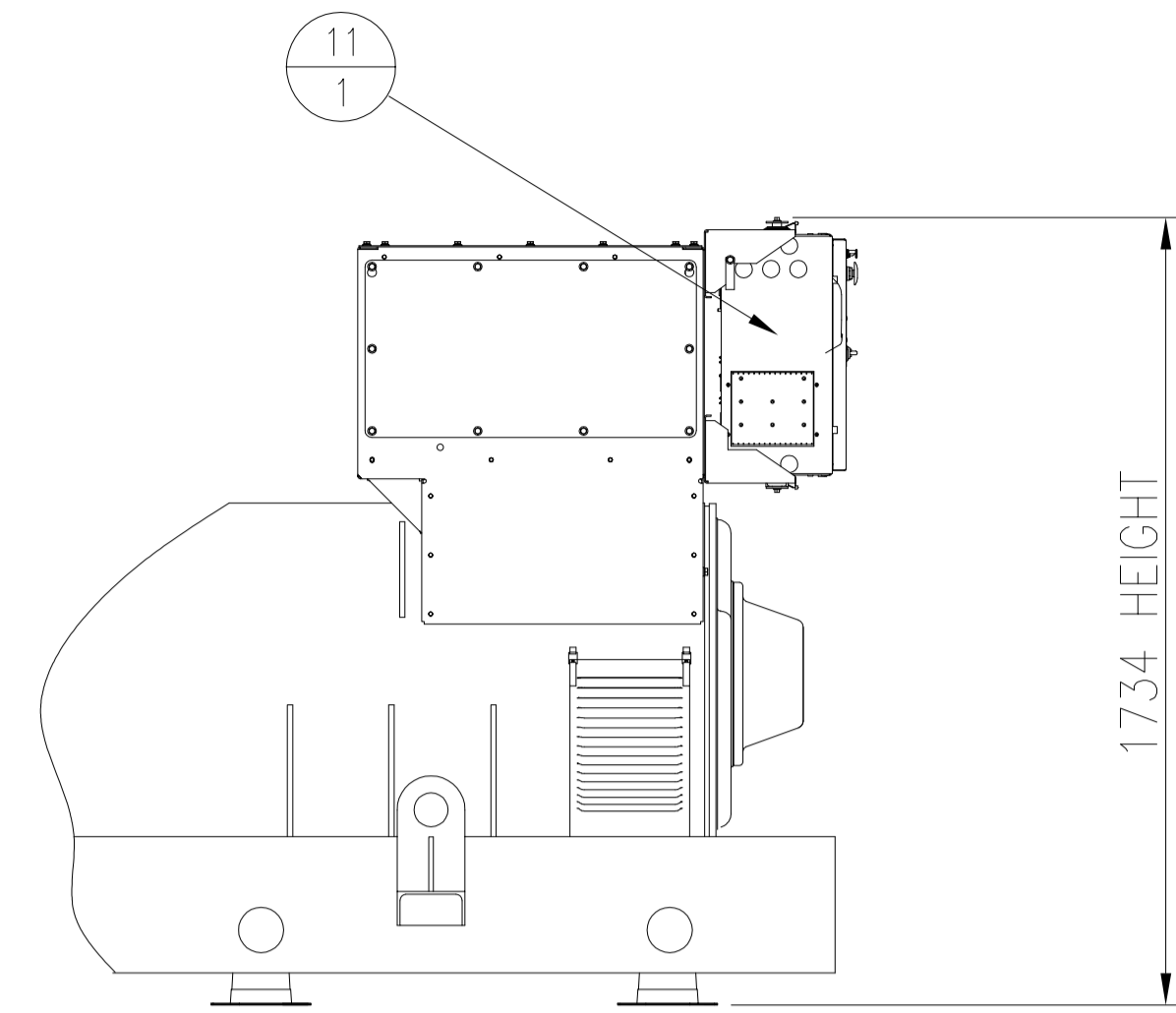
1	14	REF	HEAT SHIELD - EXH
1	13	REF	BATTERY TRAY INSTALLATION
1	12	REF	HEATER-COOLANT (ENG) (IF FITTED)
1	11	SEE SHT 2	CONTROLLER-PCC3201 (SINGLE SET & PARALLELING)
2	10	REF	HEAVY DUTY AIR CLEANER (SEE SHEET 2)
10	9	REF	VIBRATION MOUNTS
1	8	REF	RADIATOR 50°C
1	7	REF	SKID
1	6	REF	CIRCUIT BREAKER BOX
1	5	REF	CONTROL HOUSING
1	4	REF	NORMAL DUTY AIR CLEANER
1	3	REF	CONTROLLER - PCC2100 (SINGLE SET RUNNING)
1	2	REF	ALTERNATOR-HC634
1	1	REF	ENGINE - QSK23-G3
QTY	ITEM No.	PART No.	PLM NOUN NAME
FOR REFERENCE ONLY			

UNLESS OTHERWISE SPECIFIED, ALL DIMENSIONS ARE IN MILLIMETRES		SIMILAR TO		DRAWN J MATTHEWS		CUMMINS	
DO NOT SCALE PRINT		CHECKED C KNIGHT		APPROVED M BARGENT		SITE CODE	
DATE 08AUG05		FIRST USED ON C900D5		PGK		Cummins Power Generation	
ANGULAR TOL: ±1.0°		SCALE: 1:16		PROPERTY OF CUMMINS POWER GENERATION GROUP		GENSET OUTLINE	
FOR INTERPRETATION OF DIMENSIONING AND TOLERANCING, SEE 05066						0500-4356	
						SHEET 1 of 2	

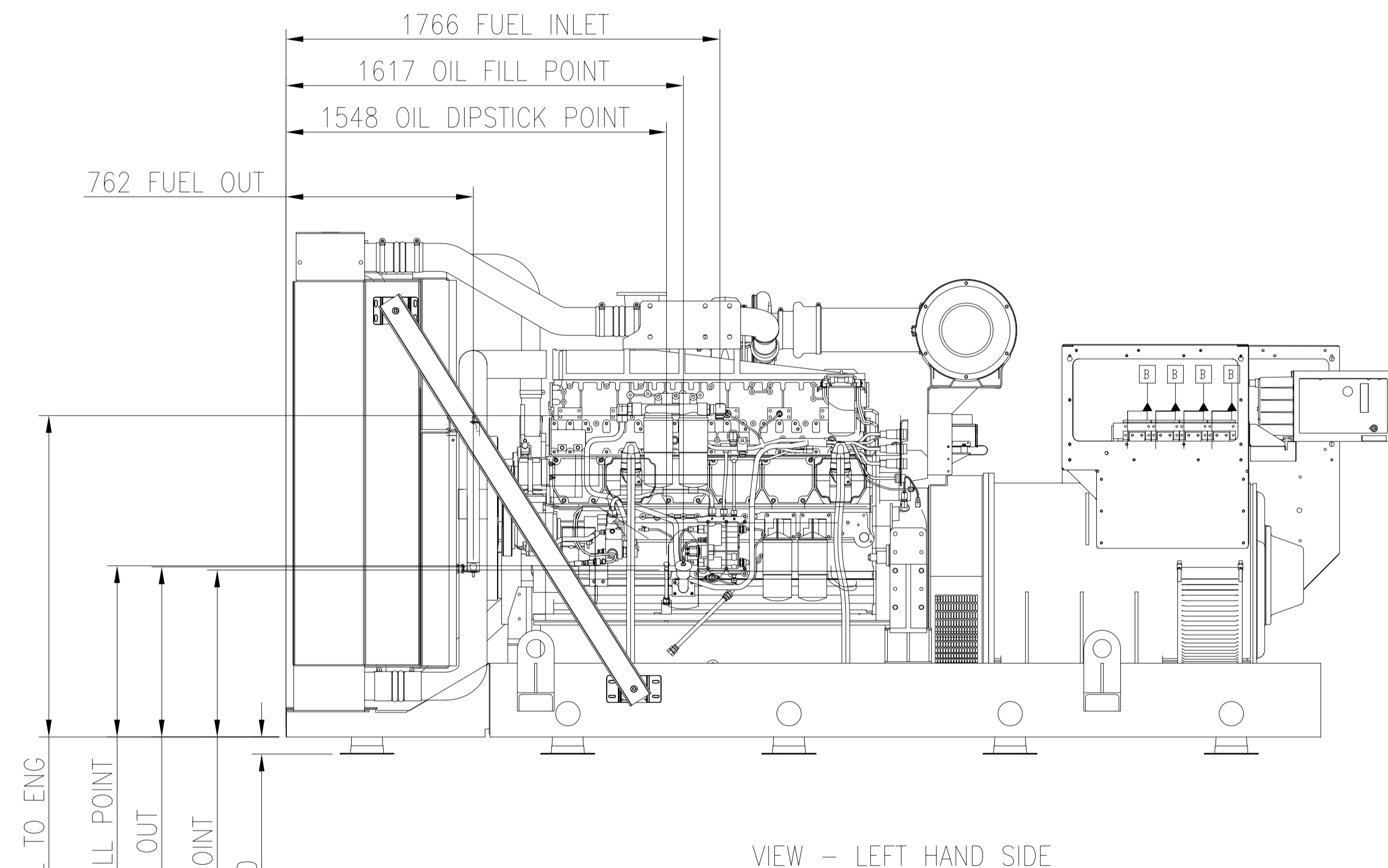
REL No.	LTR No.	REVISION	DRN	CHKD	APPROVED	DATE
ECO-105782	F 1		MS	YJ	S.HAWKINS	13MAY10



OPTION:- HEAVY DUTY AIR CLEANER

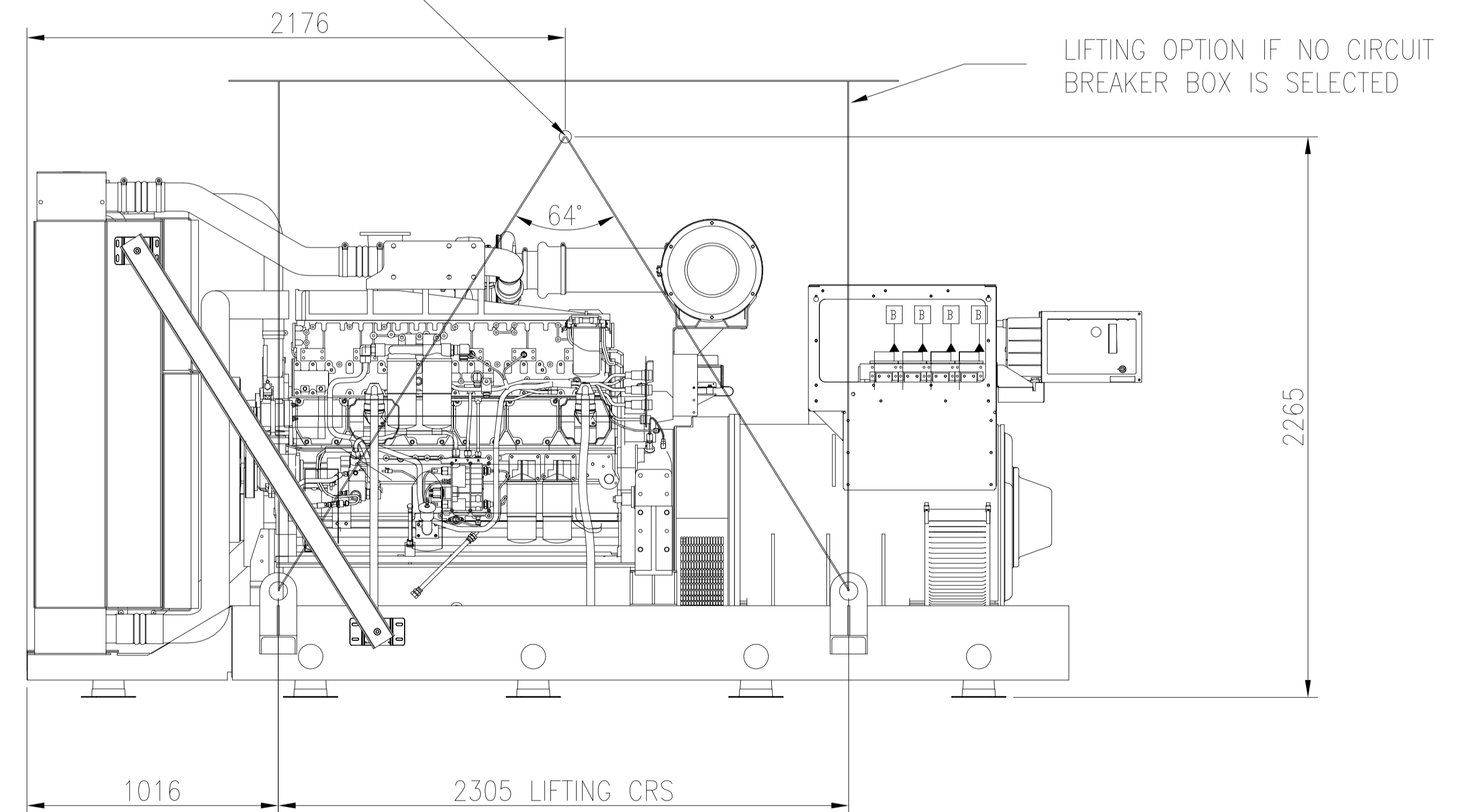


VIEW - PCC3201 CONTROLLER

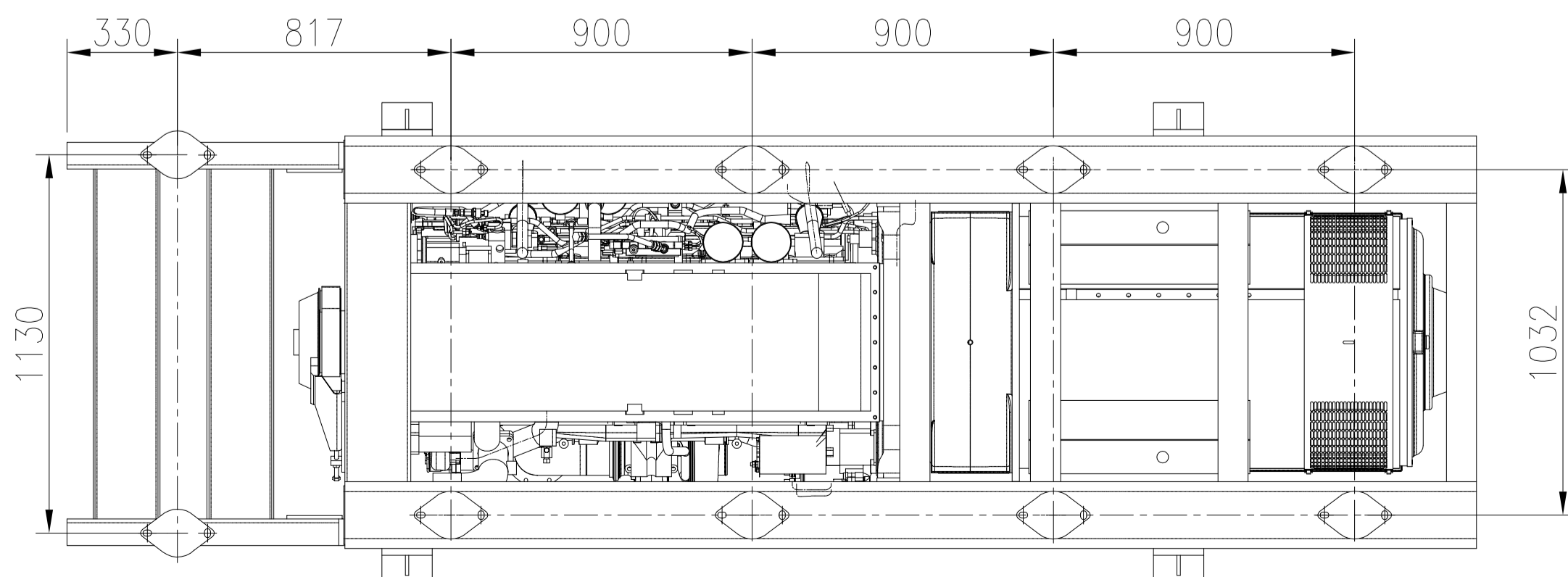


VIEW - LEFT HAND SIDE

LIFTING OPTION IF CIRCUIT BREAKER BOX IS SELECTED



VIEW - LIFTING OPTIONS



VIEW - BOTTOM AVM POSITIONS

UNLESS OTHERWISE SPECIFIED, ALL DIMENSIONS ARE IN MILLIMETRES		SIMILAR TO	—	DRAWN	J MATTHEWS	Cummins Power Generation	
DIM	X = ±3 XX = ±1 XXX = ±0.5	HOLE	0.09-4.99 +0.15/-0.08 5.00-9.99 +0.20/-0.10 10.00-17.99 +0.25/-0.13 17.50-24.99 +0.30/-0.13	CHECKED	C KNIGHT		GENSET OUTLINE
ANGULAR TOL:	±1.0°	SCALE:	1:16	APPROVED	M BARGENT	SITE CODE	
PROPERTY OF CUMMINS POWER GENERATION GROUP		DATE	10AUG05	FOR INTERPRETATION OF DIMENSIONING AND TOLERANCING, SEE 05066	FIRST USED ON	C900D5	PGK
		DATE	10AUG05			0500-4356	SHEET 2 of 2

Part A008H656 F

Description	Legacy Name	External Regulations	Application Status	Release Phase Code	Security Classification	Alternates
OUTLINE,GENSET	0500-4356	None	Production & Service	Production	Proprietary	

Part Specifications :A008H656 F

Name	Description	Legacy Name
A030B356	SPECIFICATION,MATERIAL	CES10903
A013Y015	DRAWING,INSTALLATION	0500-4356